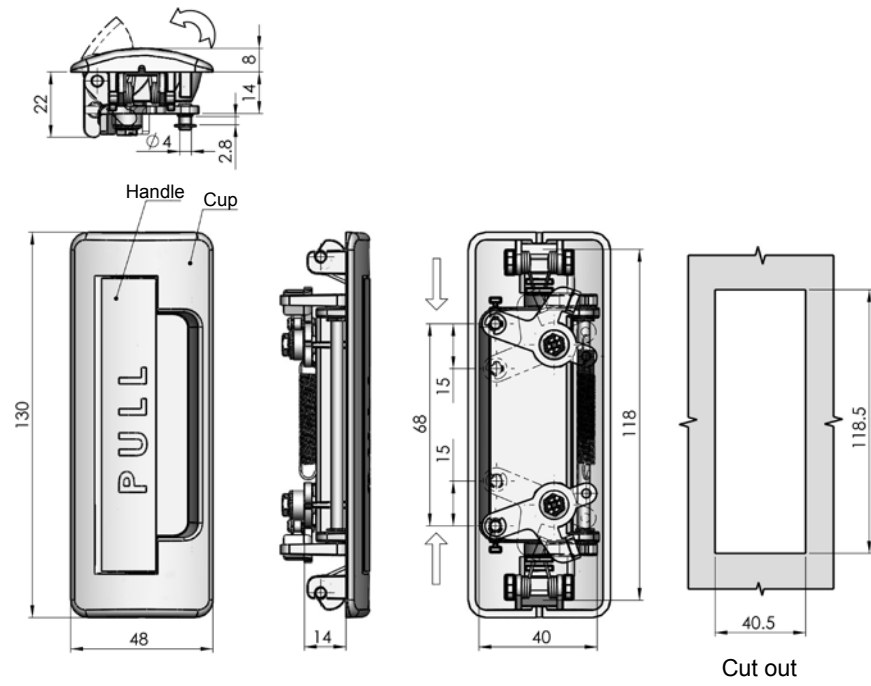


MS866-13



Main material and finish: Nanometer painted ZDC lock



ERP

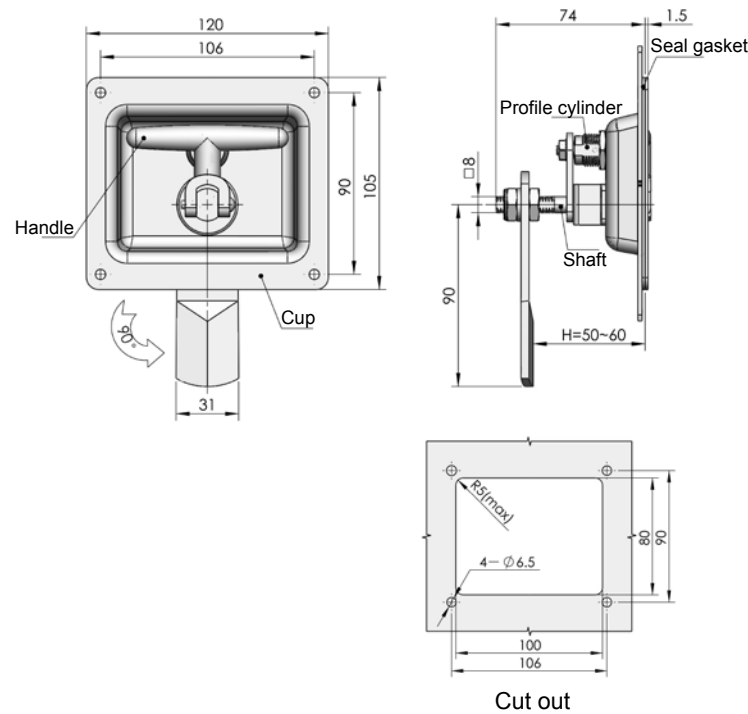
MS866Z2B000001

MS871



Main material and finish: Mirror polished stainless steel cup and shaft, bright chrome-plated handle and shaft tube
Remarks: Default key K15-05A

Default cam: S1B90Y00002

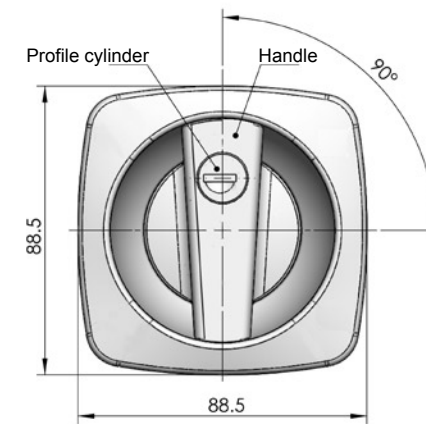
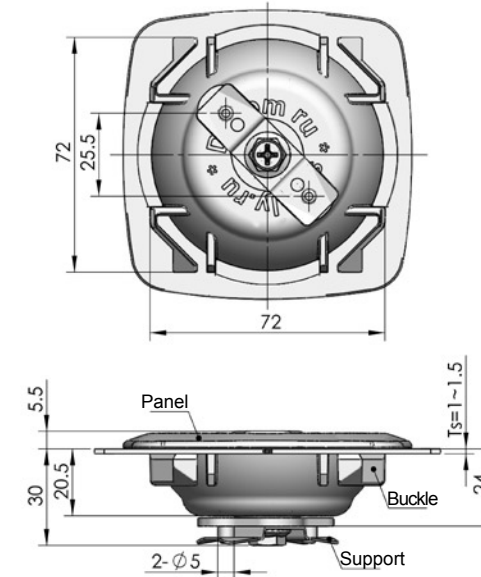


ERP

With insert
MS871S4AT05001

Without insert
MS871S4A000001

Remarks : ERP excludes Cam



ERP

With insert
MS870N2B160001

Without insert
MS870N2B000001

MS870



RL

Main material and finish: Black PA housing and handle, zinc-plated steel support

Remarks: Default key K160