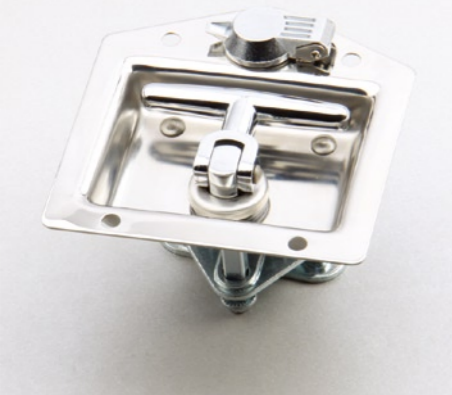


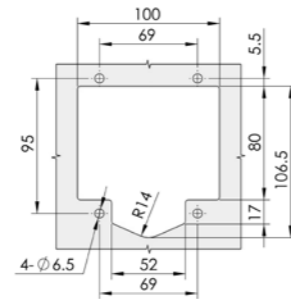
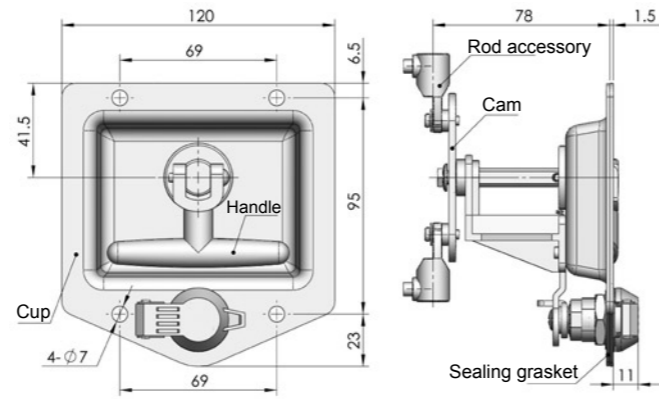
**MS856**



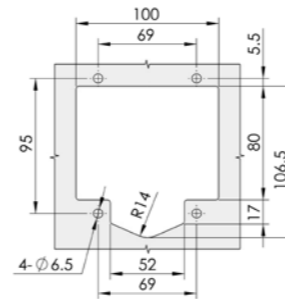
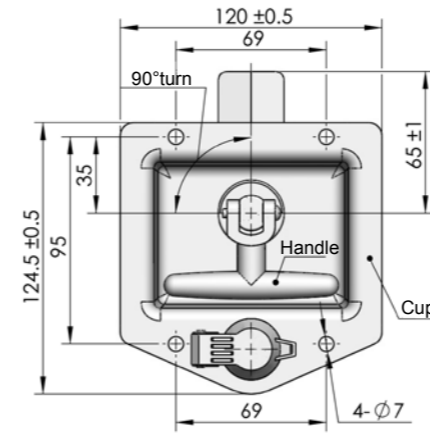
**Main material and finish:** Mirror polished stainless steel cup, bright chrome-plated ZDC handle, shaft tube and dust-proof cap, white zinc-plated ZDC bracket, steel cam and shaft

**Remarks:** Default key K130

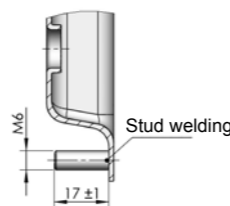
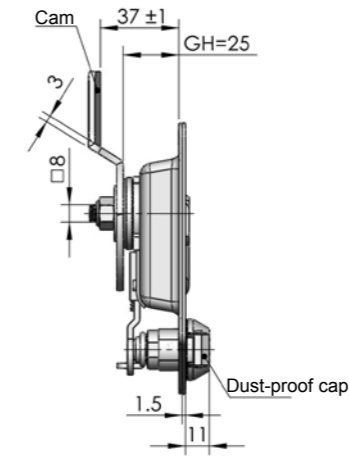
**Default cam:** 2893250016



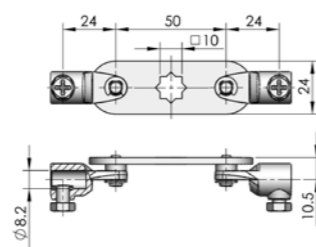
Cut out



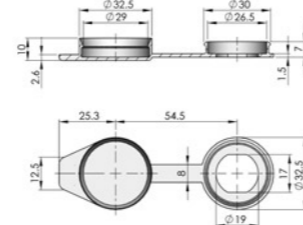
Cut out



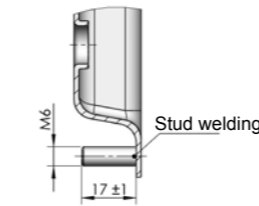
Optional cup



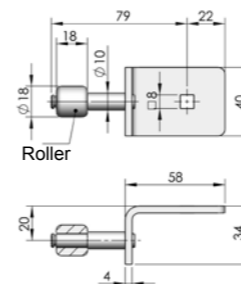
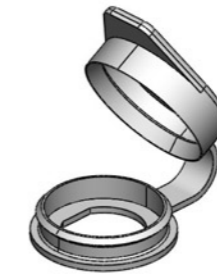
Default cam S2C2500



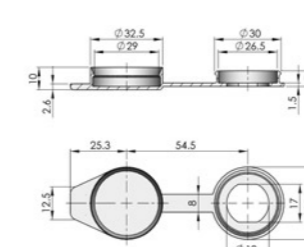
WP003 water-tight cap (Optional)



Optional cup



Optional cam S1B1179D



Optional WP003 water-tight cap

	Hole type	Screw bolt type
ERP	MS856S4A130001	MS856S4A130002

Remarks : ERP excludes Cam

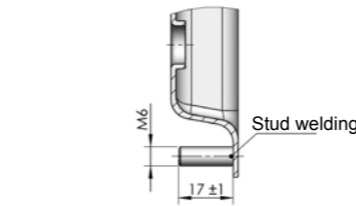
**MS857**



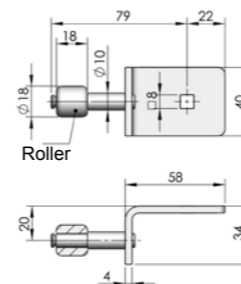
**Main material and finish:** Mirror polished stainless steel cup, cam and shaft tube, bright chrome-plated ZDC handle, shaft tube and dust-proof cap

**Remarks:** Default key K130

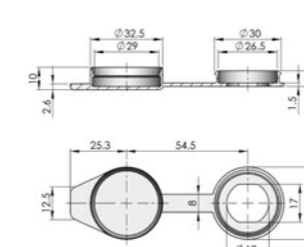
**Default cam:** S3B65Y13001



Optional cup



Optional cam S1B1179D



Optional WP003 water-tight cap

	Hole type	Screw bolt type
ERP	MS857S4A130001	MS857S4A130002

Remarks : ERP excludes Cam