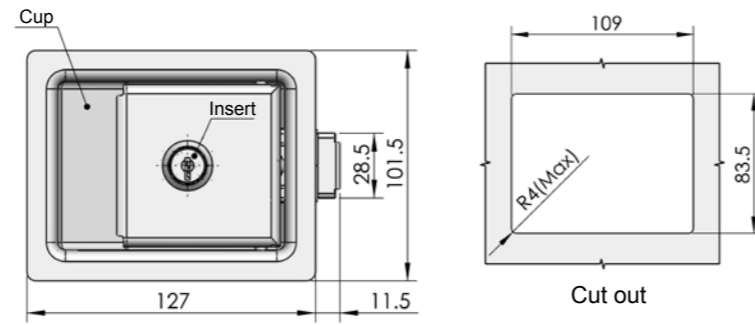
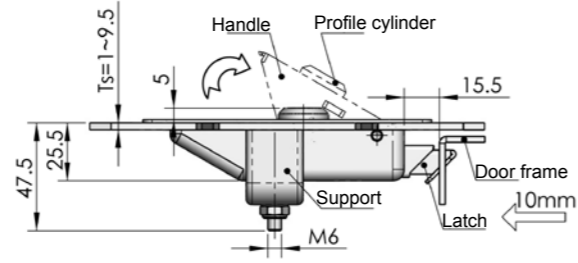


MS866-3

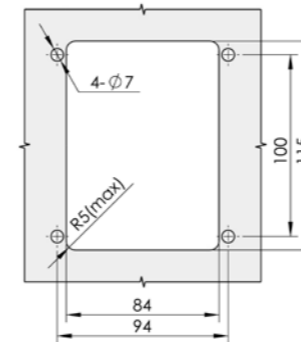
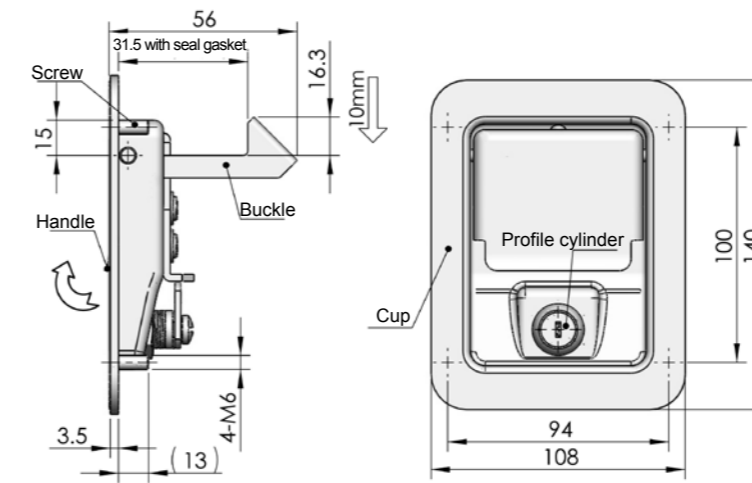


Main material and finish: Black powder coated steel cup, handle and ZDC profile cylinder, zinc-plated steel latch and support

Remarks: Default key K160



ERP MS866F1A160001

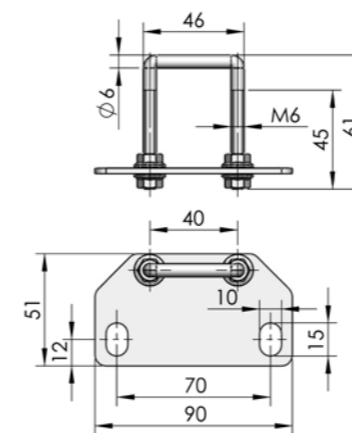


Remarks: default product is without keeper

Cut out

Specification	ERP	
	With insert	Without insert
H=31.5	MS866F1A080001	MS866F2B000001
H=44	MS866F1A080002	MS866F2B000002
H=55	MS866F1A080003	MS866F2B000003

Pull buckle



ERP 2138665001

MS866-5



Main material and finish: Black powder coated steel cup and handle, nickle-plated ZDC profile cylinder, zinc-plated steel latch, support and weld screw

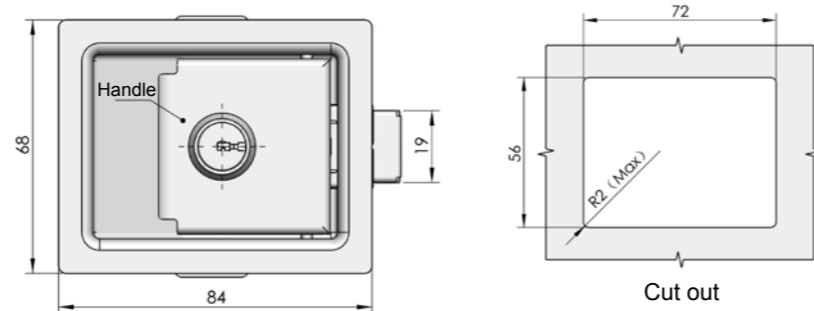
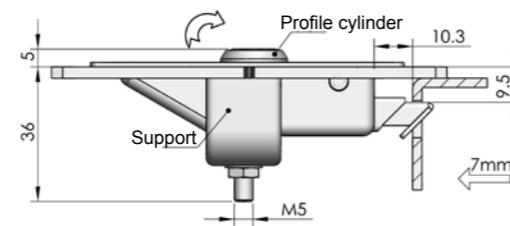
Remarks: Default key K082

MS866-4



Main material and finish: Black powder coated steel cup and handle, sand blast and nickle-plated ZDC profile cylinder, zinc-plated steel latch, support and riveting screw

Remarks: Default key K330



	With insert	Without insert
ERP	MS866F1A330001	MS866F1A000001