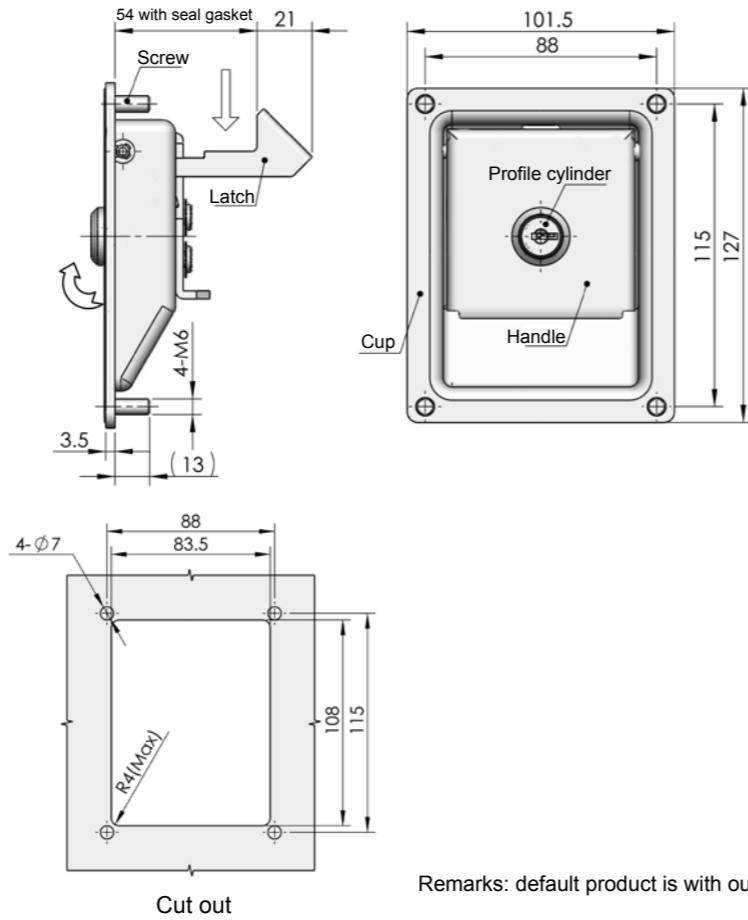


MS866-6

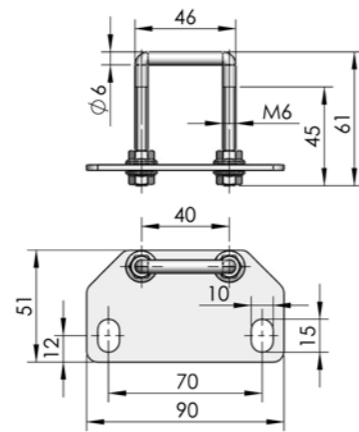


Main material and finish: Black powder coated steel cup, handle and ZDC profile cylinder, zinc-plated steel latch, support and weld screw
Remarks: Default key K160



Specification	ERP	
	With insert	Without insert
H=30.5	MS866F1A160004	MS866F1A000011
H=43	MS866F1A160003	MS866F1A000010
H=54	MS866F1A160002	MS866F1A000009

Pull buckle

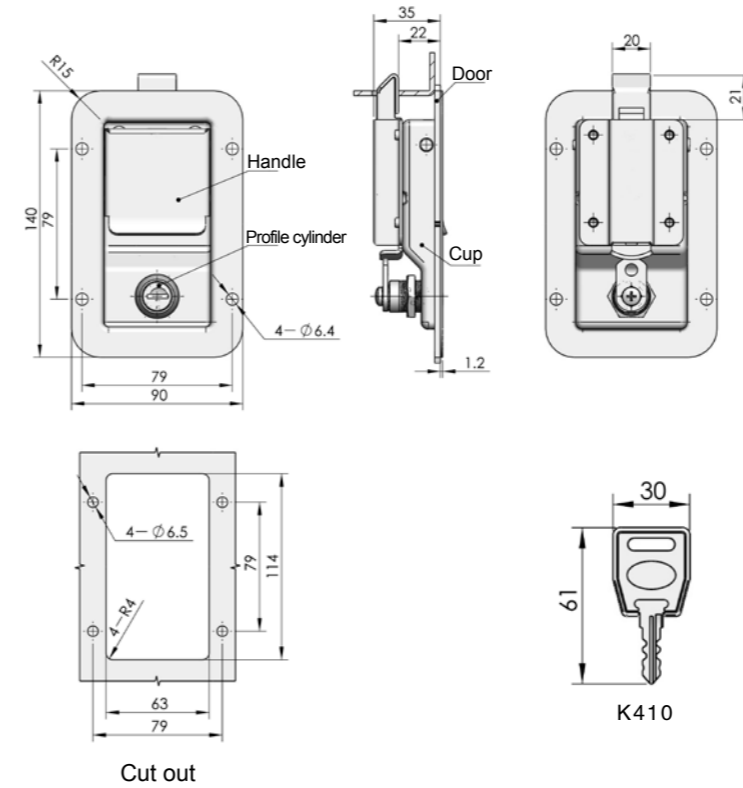


ERP 2138665001

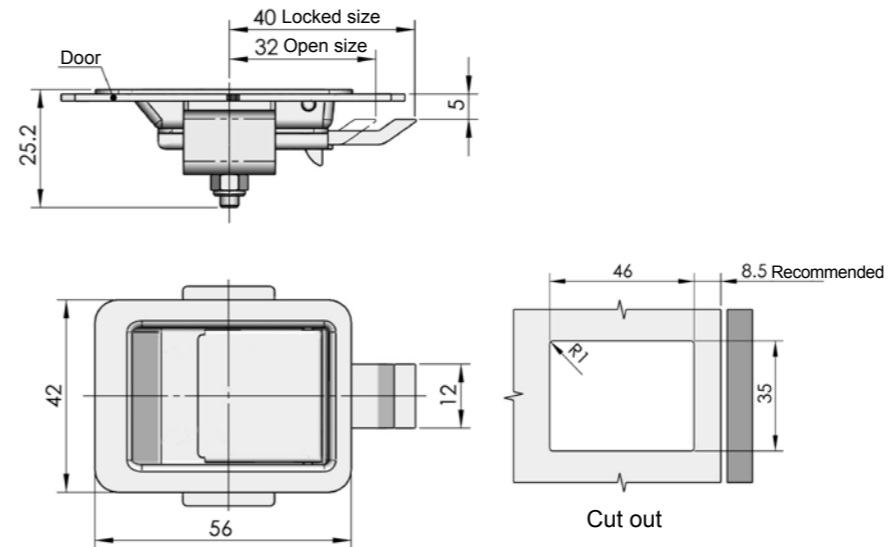
MS866-7



Main material and finish: Stainless steel cup, handle, latch and cam, bright chrome-plated profile cylinder
Remarks: Default key K410



ERP MS866S4A410001



ERP MS866S4B000001

MS866-8



Main material and finish: Wire-drawing polished stainless steel