

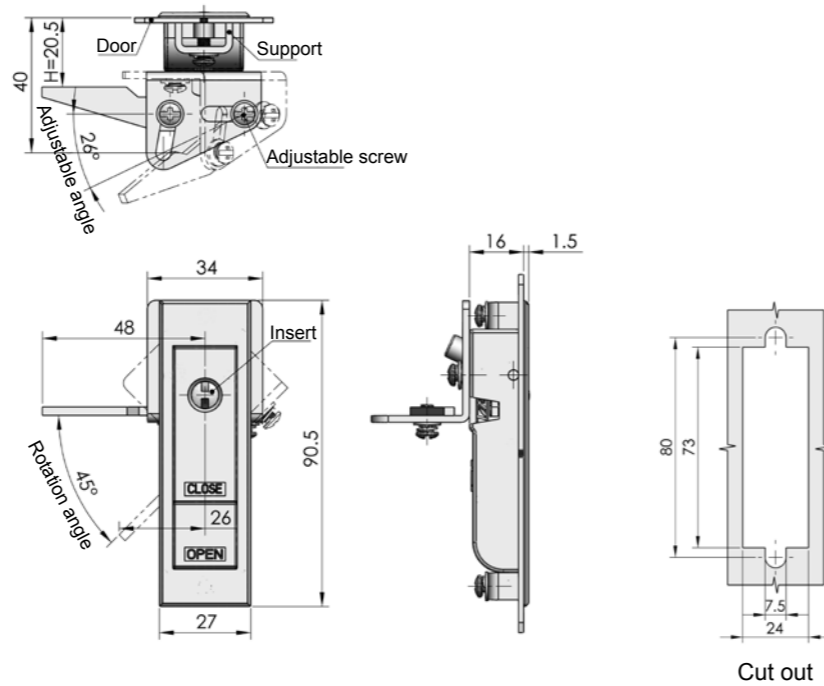




**MS703**

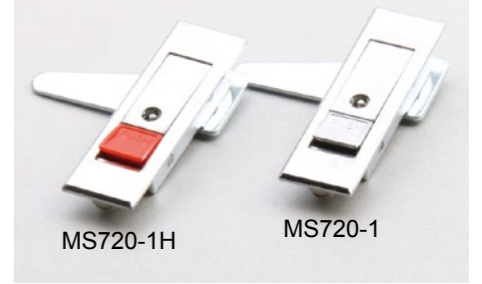


**Main material and finish:** Bright chrome-plated ZDC lock body and white zinc-plated steel cam  
**Application:** Quick-open, easy assembling, by adjusting the cam screw to change the H and L of cam



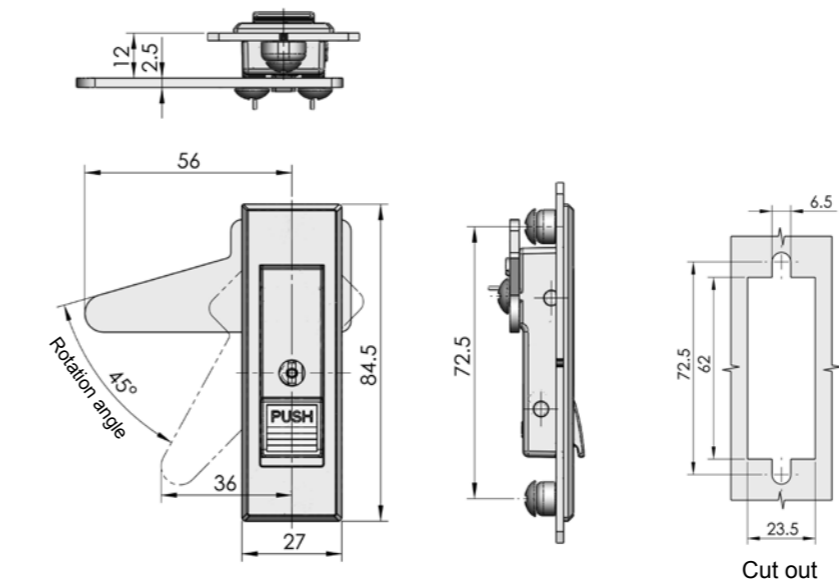
	Cam opening from left rotation	Cam opening from right rotation
<b>ERP</b>	MS703Z3A000001	MS703Z3A000002

**MS720**



**RL**

**Main material and finish:** ZDC housing, insert, ZDC button or PA button, white zinc-plated steel cam  
**Application:** Quick-open, easy assembling, H variable



180 degree cam rotation to realize LH or RH ( only for cam without bend )

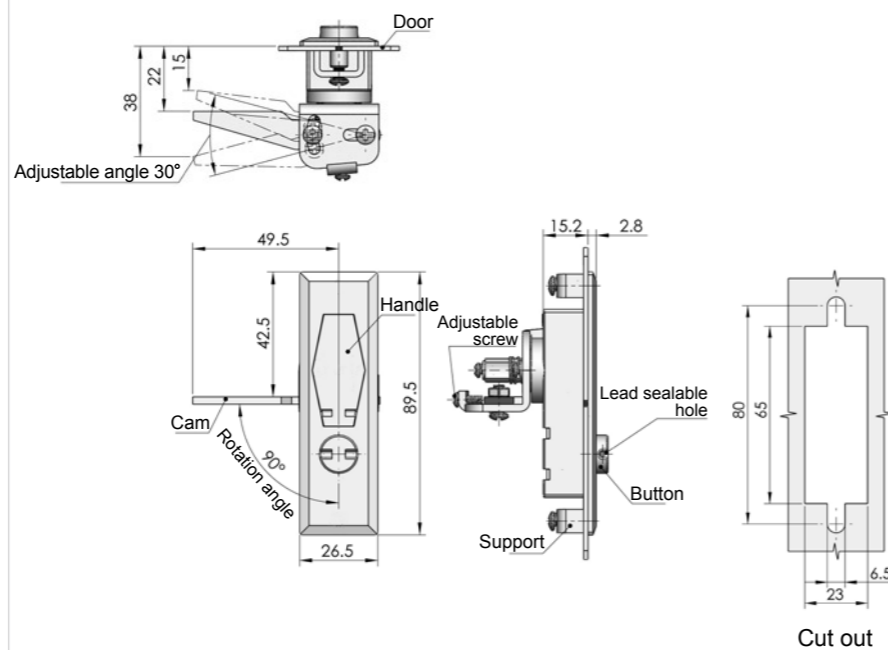
Specification	ERP	
	Gray nanometer painted housing	Sand-blast chrome-plated housing
ZDC button, with insert	MS720Z2B000001	MS720Z3H000001
ZDC button, without insert	MS720Z2B000006	MS720Z3H000003
Plastic button, with insert	MS720Z2B000002	MS720Z3H000002
Plastic button, without insert	MS720Z2B000007	MS720Z3H000004

**Default cam:** S1D56Y00002

**MS707**



**Main material and finish:** Blast-spraying and nickle plated ZDC housing, handle, button and insert, white zinc-plated steel cam  
**Application:** Quick-open, easy assembling, by adjusting the cam screw to change the H and L of cam



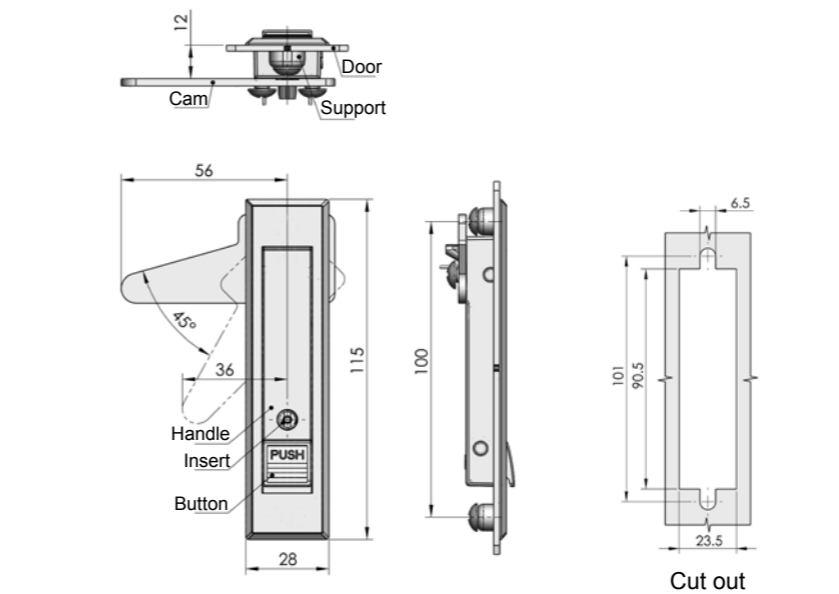
Specification	Opening from left rotation	Opening from right rotation
With insert	MS707Z3I000001	MS707Z3I000002
With lead sealable button	MS707Z3I000003	MS707Z3I000004

**MS728**



**RL**

**Main material and finish:** Sand-spraying and chrome-plated ZDC housing and insert, ZDC button or PA button, white zinc-plated steel cam  
**Application:** Quick-open, easy assembling, H variable



180 degree cam rotation to realize LH or RH ( only for cam without bend )

Specification	ERP	
	Gray nanometer painted housing	Sand-blast chrome-plated housing
ZDC button, with insert	MS728Z2B000001	MS728Z3H000001
ZDC button, without insert	MS728Z2B000002	MS728Z3H000005
Plastic button, with insert	MS728Z2B000003	MS728Z3H000002
Plastic button, without insert	MS728Z2B000004	MS728Z3H000006

**Default cam:** S1D56Y00002

**MS730**



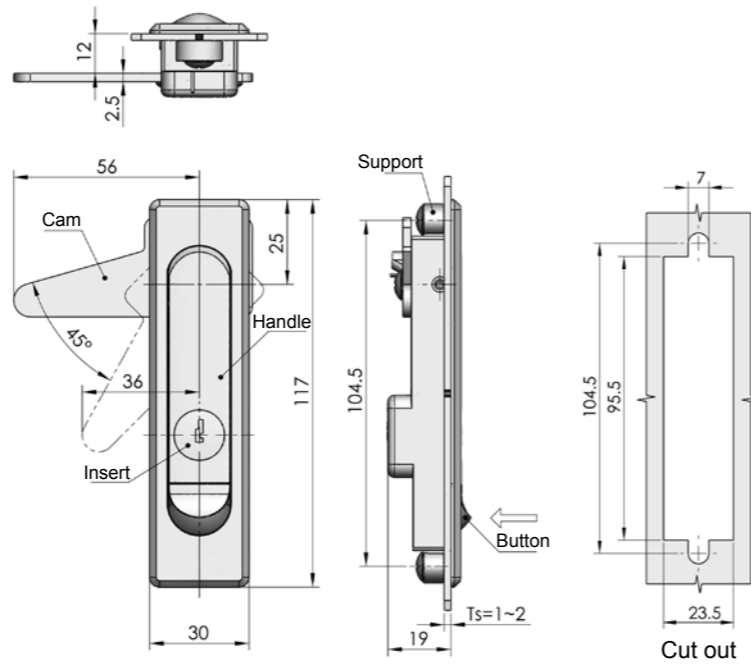
**RL**

**Main material and finish:** ZDC housing, insert, and button, white zinc-plated steel cam

**Application:** Quick-open, easy assembling, H variable

**Remarks:** Default key K200

**Default cam:** S1D56Y00002



180 degree cam rotation to realize LH or RH ( only for cam without bend )

	Painted (black) housing, handle	Nanometer painted housing, handle
ERP	MS730Z2A200001	MS730Z2B200001

**MS732**

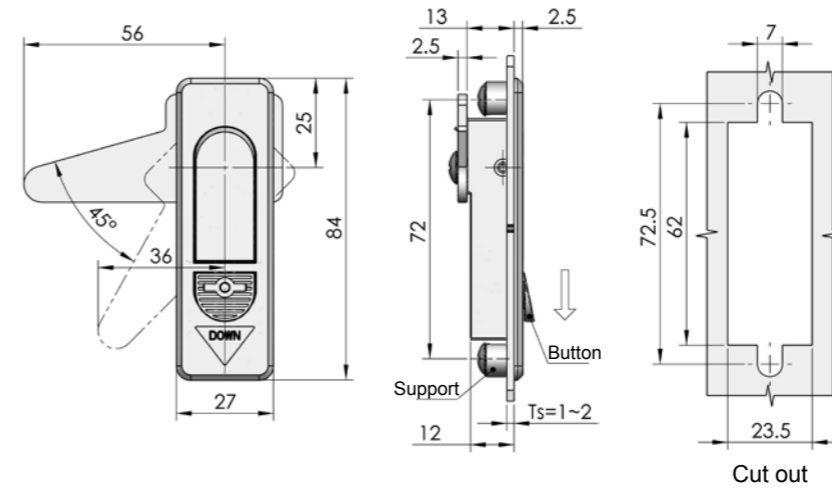


**RL**

**Main material and finish:** Bright chrome-plated ZDC housing, handle and button, zinc-plated steel cam

**Application:** Quick-open design, easy installation. Bend the cam to suit the different H

**Default cam:** S1D56Y00002



180 degree cam rotation to realize LH or RH ( only for cam without bend )

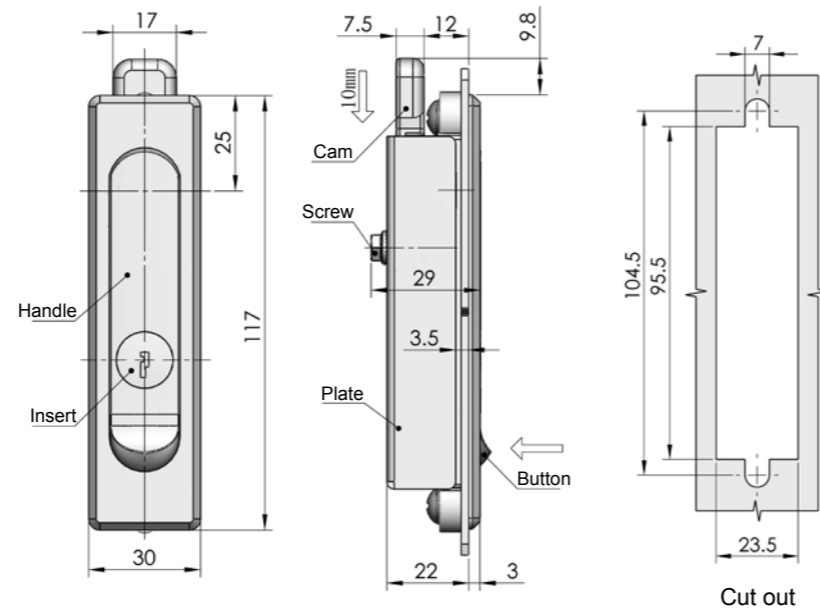
ERP	MS732Z3A000001
-----	----------------

**MS730-1A**



**Main material and finish:** ZDC housing, insert, and button, white zinc-plated ZDC cam

**Application:** Quick-open, easy assembling, front-end of lock tongue is suitable to special frame structure



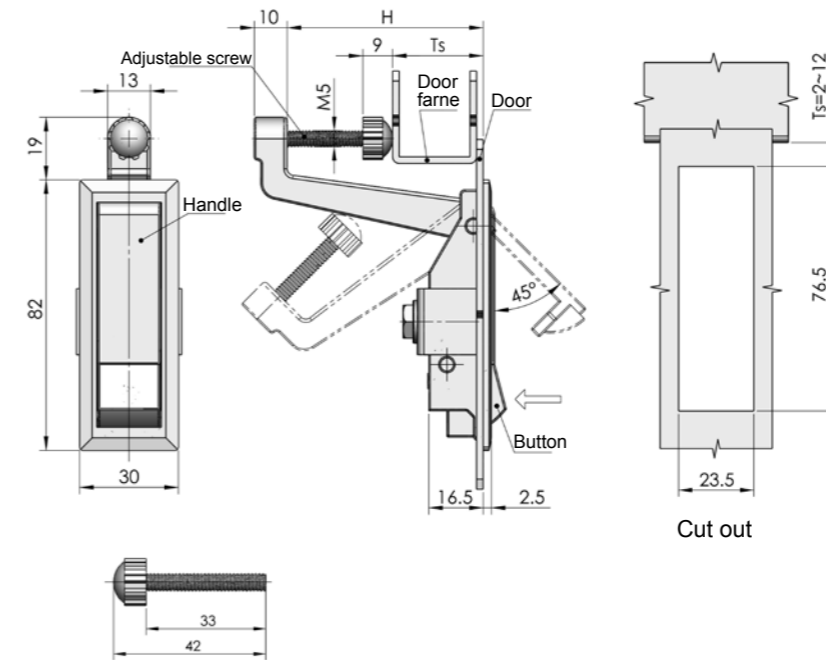
	Painted (black) housing, handle	Nanometer painted housing, handle
ERP	MS730Z2A200002	MS730Z2B200002

**MS708**



**Main material and finish:** Sand-blast ZDC housing, handle and button, zinc-plated steel screw

**Application:** Quick-open design, easy installation. Adjusting screw on cam meets the need of distance control



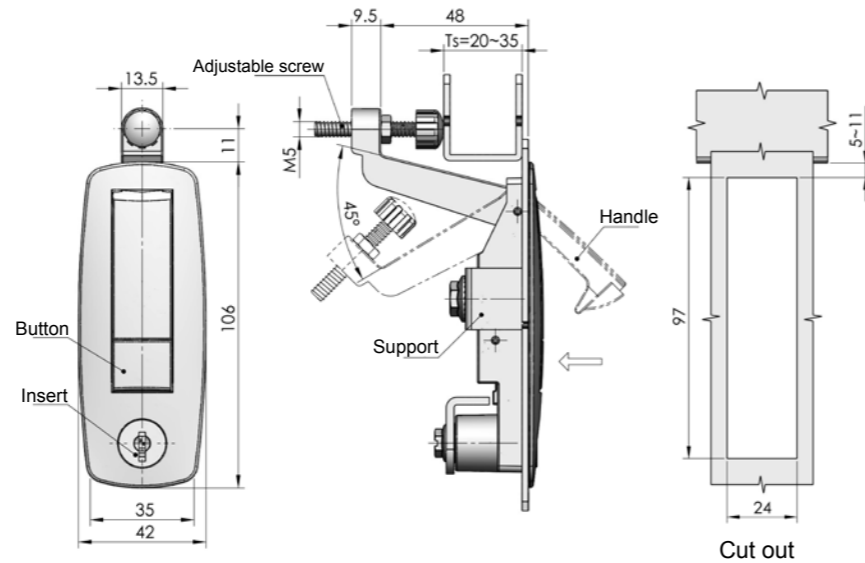
Remarks: Default adjusting screw, others on request

	H=46.5	H=59.5	H=24
ERP	MS708Z3H000002	MS708Z3H000004	MS708Z3H000006

**MS718**

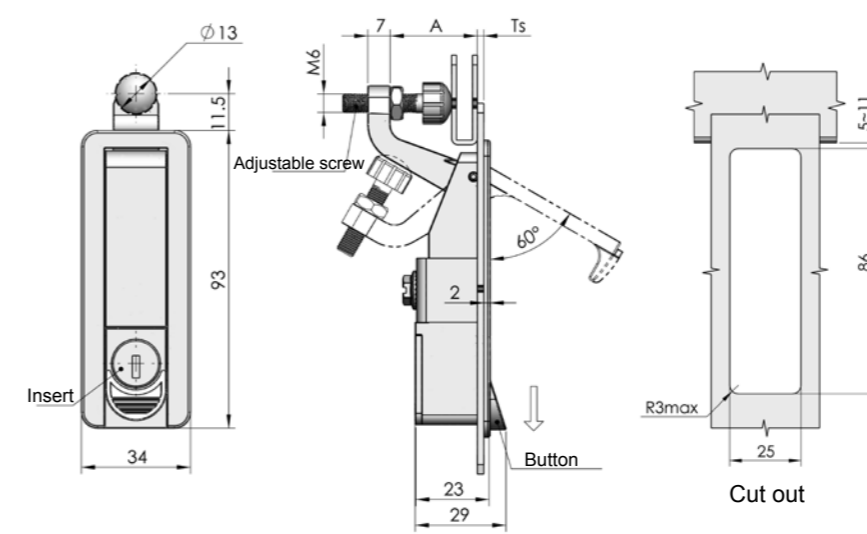


**Main material and finish:** Black powder coated ZDC housing, handle and button, ZDC insert, white zinc plated steel screw  
**Application:** Quick-open, easy assembling, by adjusting screw meets the need of distance control  
**Remarks:** Default key k180



Remarks: Default adjusting screw, others on request

ERP	MS718Z1A180001
-----	----------------



Remarks: Default adjusting screw, others on request

Specification	A=29	A=50
With insert	MS719Z1A020001	MS719Z1A020002
Without insert	MS719Z1A000001	MS719Z1A000002

**MS719**

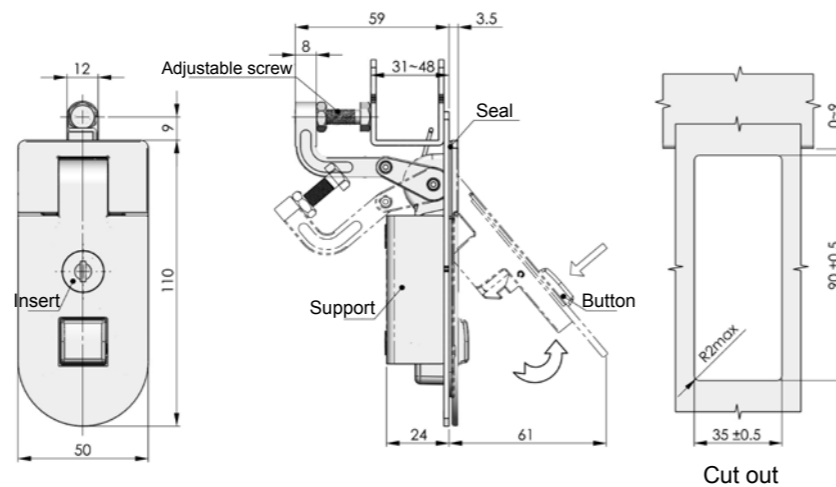


**Main material and finish:** Black powder coated ZDC housing, handle, insert and button, white zinc plated steel screw  
**Application:** Quick-open, easy assembling, by adjusting screw meets the need of distance control  
**Remarks:** Default key k020

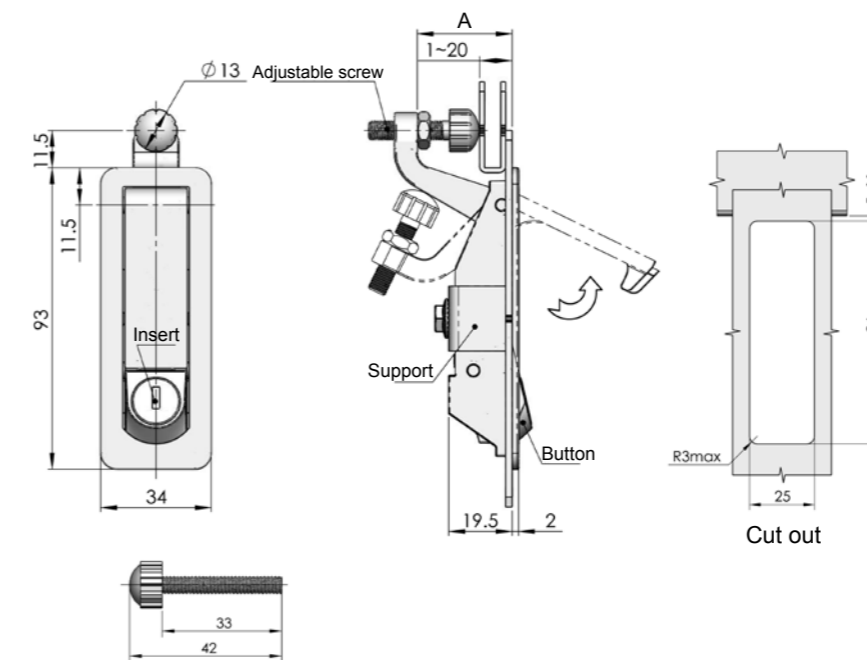
**MS718-3**



**Main material and finish:** Black powder coated ZDC housing, handle, insert and button, white zinc plated steel screw  
**Application:** Quick-open, easy assembling, by adjusting screw meets the need of distance control  
**Remarks:** Default key K160



ERP	MS718Z1A160001
-----	----------------



Remarks: Default adjusting screw, others on request

Specification	A=29	A=50
With insert	MS719Z2A020001	MS719Z2A020002
Without insert	MS719Z2A000001	MS719Z2A000002

**MS719-1C**



**Main material and finish:** Black painted ZDC housing, handle, insert and button, white zinc plated steel screw  
**Application:** Quick-open, easy assembling, by adjusting screw meets the need of distance control  
**Remarks:** Default key k020

**MS717-1**

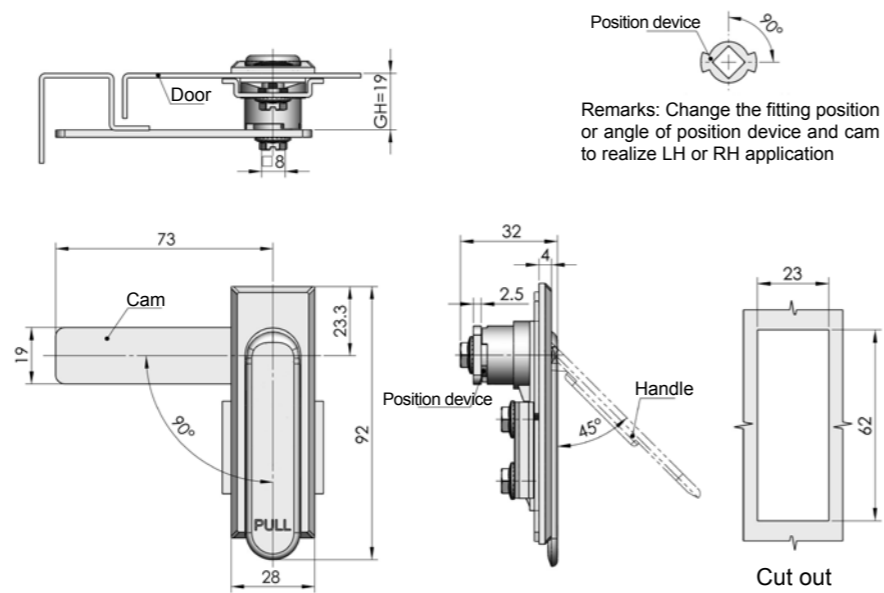


**RL**

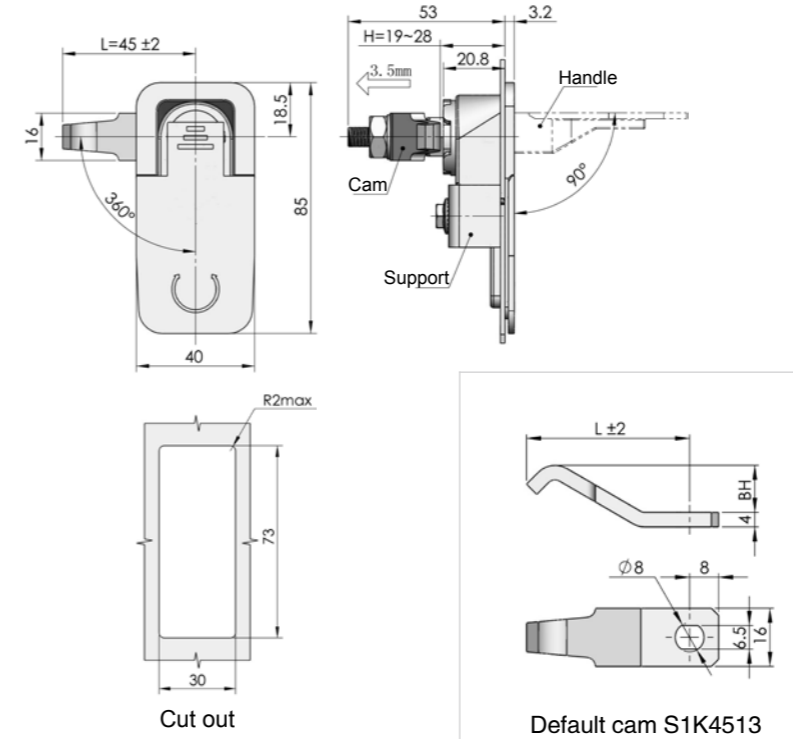
**Main material and finish:** Black painted ZDC housing and handle, white zinc plated steel support and cam

**Application:** Quick-open, easy assembling, H variable

**Default cam:** S1B73Y00001



**ERP** MS717Z2A000001  
Remarks : ERP excludes Cam



	Black powder coated housing, handle	Bright chrome-plated housing, handle	Nanometer painted housing, handle
<b>ERP</b>	MS726Z1A000001	MS726Z3A000001	MS726Z2B000001

Remarks : ERP excludes Cam

**MS726-1**



**RL**

**Main material and finish:** ZDC housing and handle, white zinc plated steel support and cam

**Application:** Quick-open, easy assembling. H variable by adjusting nut

**Default cam:** S1K45Y13009

**MS717-2**

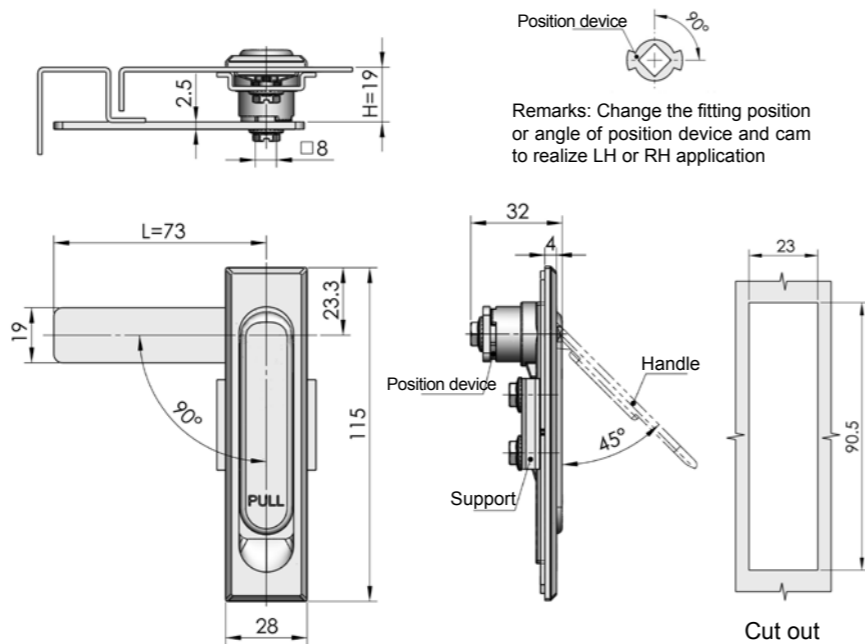


**RL**

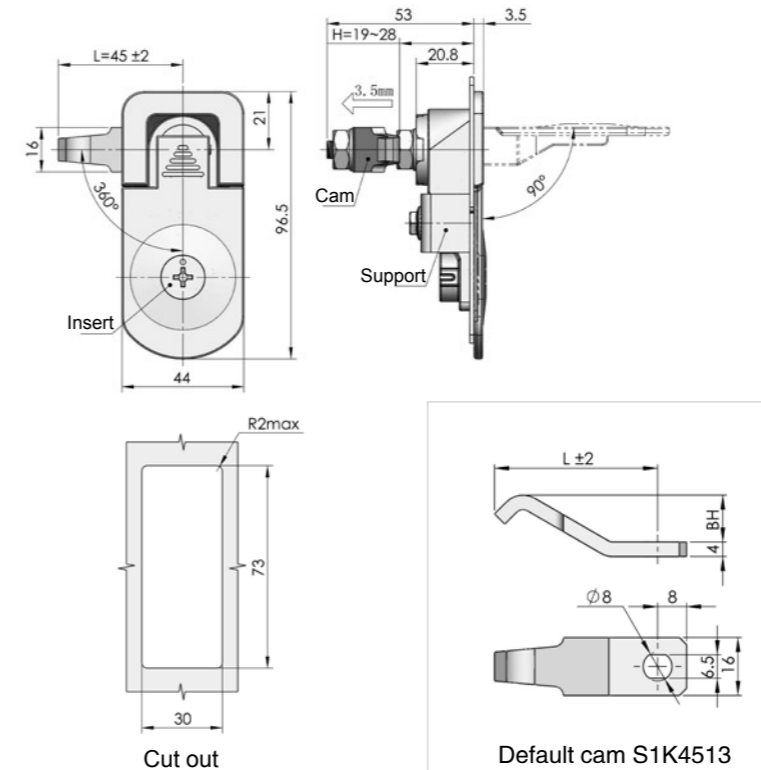
**Main material and finish:** Black powder coated ZDC housing and handle, white zinc plated steel support and cam

**Application:** Quick-open, easy assembling, H variable

**Default cam:** S1B73Y00001



**ERP** MS717Z2A000004  
Remarks : ERP excludes Cam



**ERP** MS726Z3H000003  
Remarks : ERP excludes Cam

**MS726-1A**



**RL**

**Main material and finish:** Sand-spraying and bright chrome-plated ZDC housing, handle and insert, white zinc plated steel support and cam

**Application:** Quick-open, easy assembling, H variable by adjusting nut

**Default cam:** S1K45Y13009

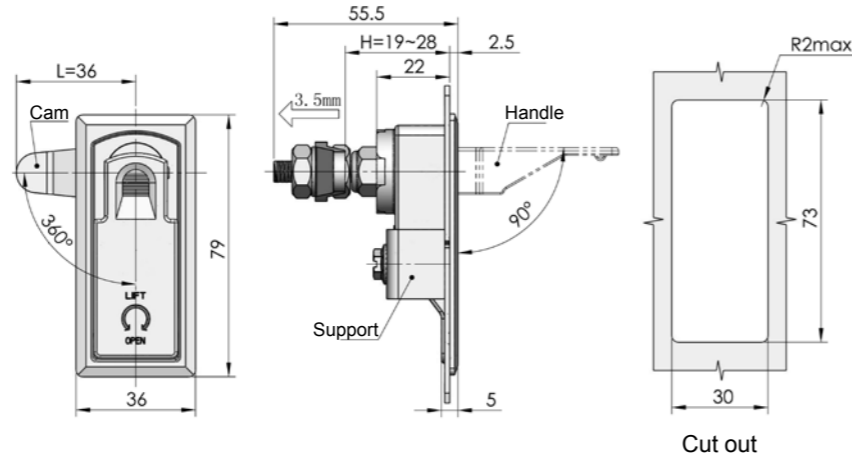
**MS726-2**



**Main material and finish:** ZDC housing and handle, white zinc plated steel support and cam

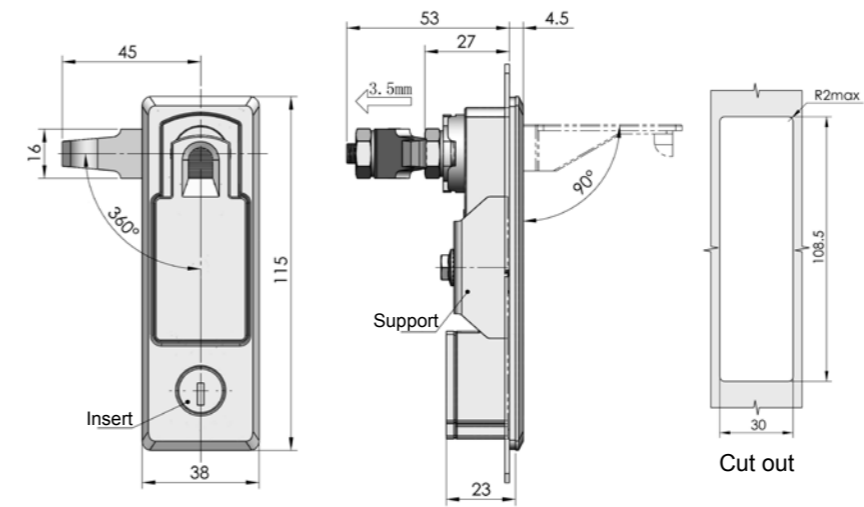
**Application:** Quick-open, easy assembling, H variable by adjusting nut

**Default cam:** S1K36Y06002



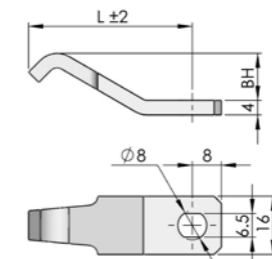
	Black powder coated housing, handle	Bright chrome-plated housing, handle	Nanometer painted housing, handle
<b>ERP</b>	MS726Z1A000004	MS726Z3A000002	MS726Z2B000004

Remarks: ERP excludes cam (Cutout  $\varnothing 8 \times 6.5$ )



**ERP** MS727Z1A020002

Remarks : ERP excludes Cam



Default cam S1K4513

**MS727**



**Main material and finish:** Black powder coated ZDC housing and handle, ZDC insert, white zinc plated steel support and cam

**Application:** Quick-open, easy assembling, H variable by adjusting nut

**Remarks:** Default key K020

**Default cam:** S1K45Y13009

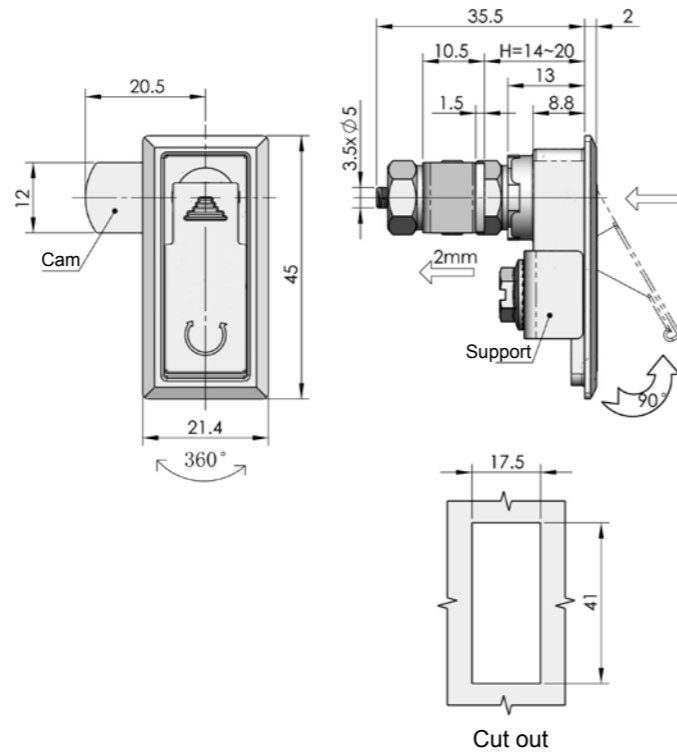
**MS726-3**



**Main material and finish:** Black painted ZDC housing and handle, white zinc plated steel support and cam

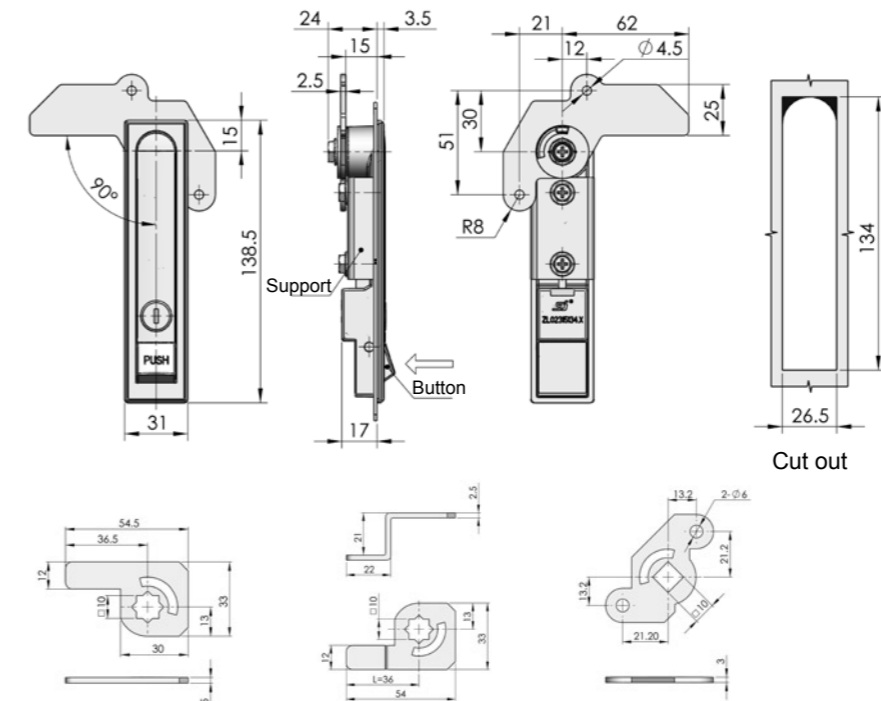
**Application:** Quick-open, easy assembling, H variable by adjusting nut

**Default cam:** S1W21Y09001



**ERP** MS726Z2A000001

Remarks : ERP excludes Cam



Optional cam S1C3700D    Optional cam S1C3621D    Optional cam S2C2100

Remarks : Optional cam refer to drawings separately

**ERP** MS710Z2B010002

Remarks : ERP excludes Cam

**MS710**



**Main material and finish:** Nanometer painted ZDC housing and handle, ZDC insert, white zinc-plated steel support and cam

**Application:** Quick-open, easy assembling. One-point locking or three-point locking function will be achieved with different cam mounted on

**Remarks:** Default key k010

**Default cam:** S3C62Y00003

**MS736**



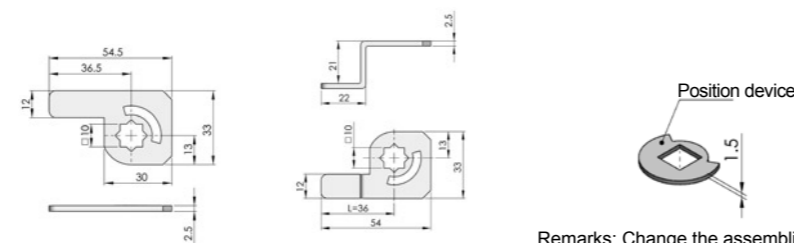
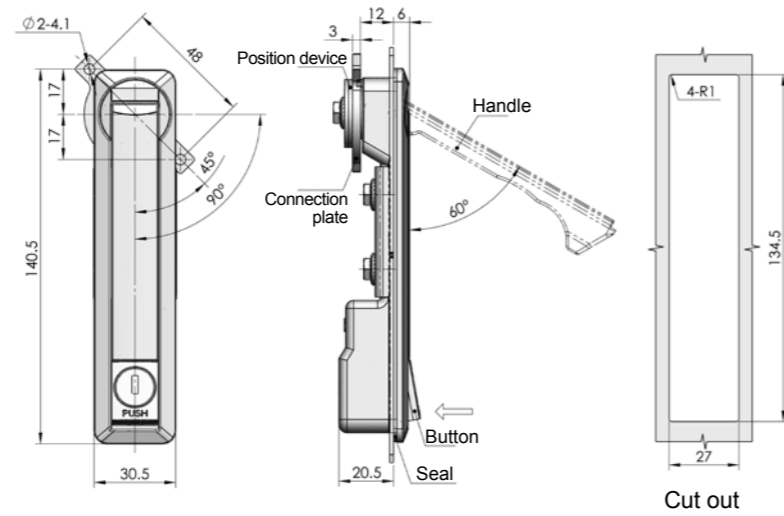
**RL**

**Main material and finish:** Nanometer painted ZDC housing and handle, ZDC insert, white zinc plated steel support and cam

**Application:** Quick-open, easy assembling, one-point locking or three-point locking function will be achieved with different cam mounted on

**Remarks:** Default key k060

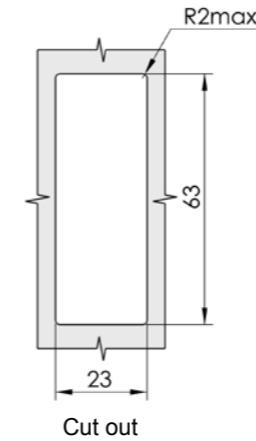
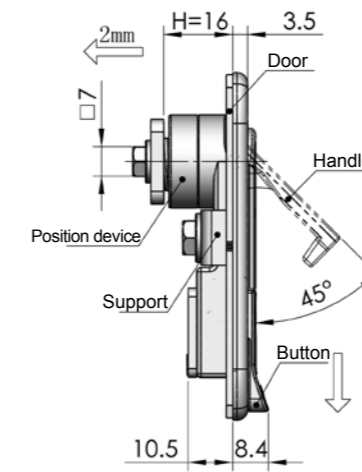
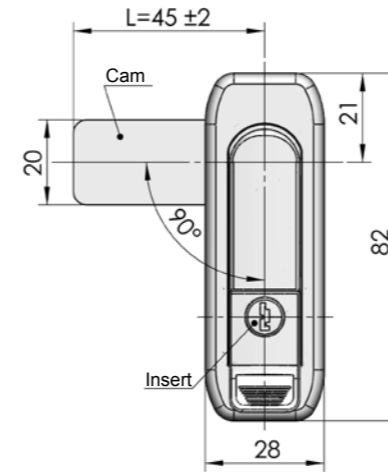
**Default cam:** 2893240002



Optional cam S1C3700D    Optional cam S1C3621D

**ERP**    MS736Z2B060001  
Remarks : ERP excludes Cam

Remarks: Change the assembling position of the position device and cam to adjust the stop height, thickness of position device is 1.5mm, change the fitting direction of position device to realize RH or LH application



**MS737**



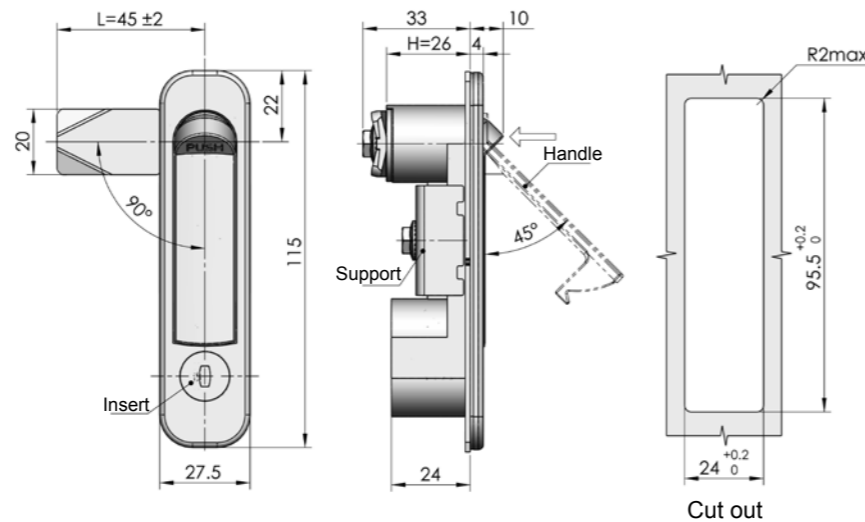
**RL**

**Main material and finish:** Nanometer painted ZDC housing and handle, ZDC insert, white zinc plated steel support and cam

**Application:** Quick-open, easy assembling. One-point locking or three-point locking function will be achieved with different cam mounted on.

**Remarks:** Default key k110

**Default cam:** S1B45Y00002



**ERP**    MS737Z2B110001

Remarks : ERP excludes Cam (Cutout square 8mm)

Remarks: Change the fitting direction of position device and cam to realize RH or LH application

	With insert	Without insert
<b>ERP</b>	MS738Z2B110001	MS738Z2B000001

Remarks : ERP excludes Cam

**MS738**



**RL**

**Main material and finish:** Nanometer painted ZDC housing, handle and button, ZDC insert, white zinc plated steel support and cam

**Application:** Quick-open, easy assembling. One-point locking or three-point locking function will be achieved with different cam mounted on

**Remarks:** Default key k110

**Default cam:** S1A45Y00004



MS712  
MS713



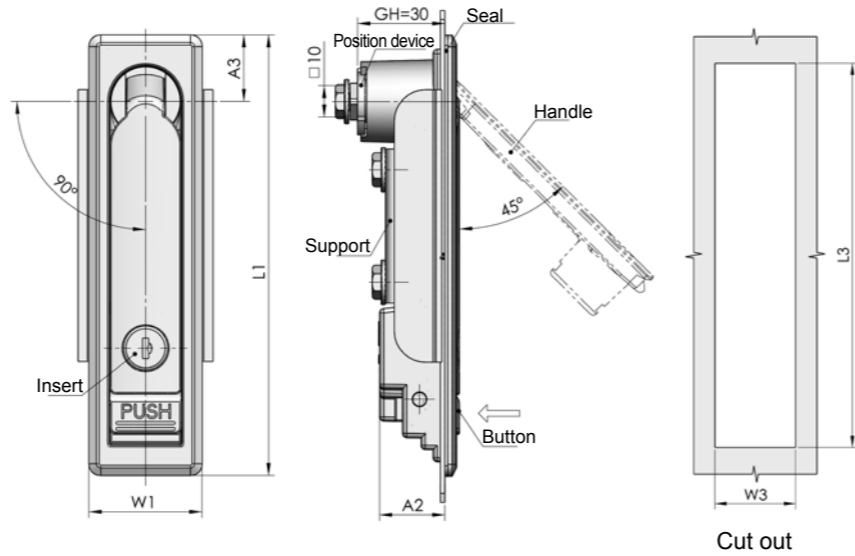
**RL** **IP54**

**Main material and finish:** Nanometer painted ZDC housing and handle, ZDC insert, white zinc plated steel support and cam

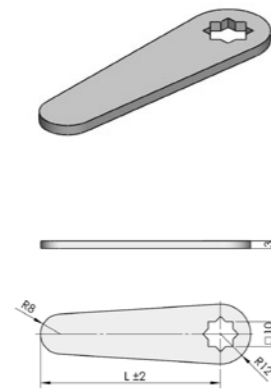
**Application:** Quick-open, easy assembling. One-point locking or three-point locking function will be achieved with different cam mounted on

**Default cam:** S1C72Y00002

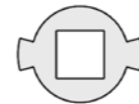
MS712



S1C Series



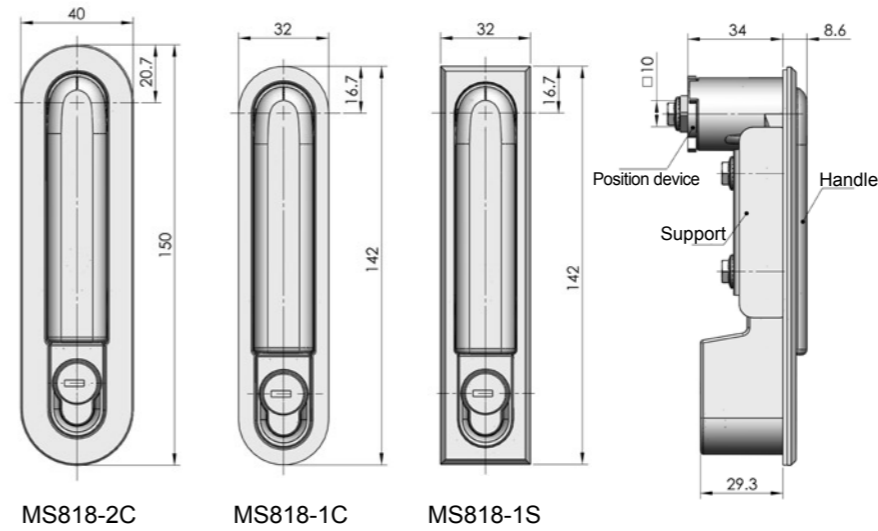
Remarks: See P008



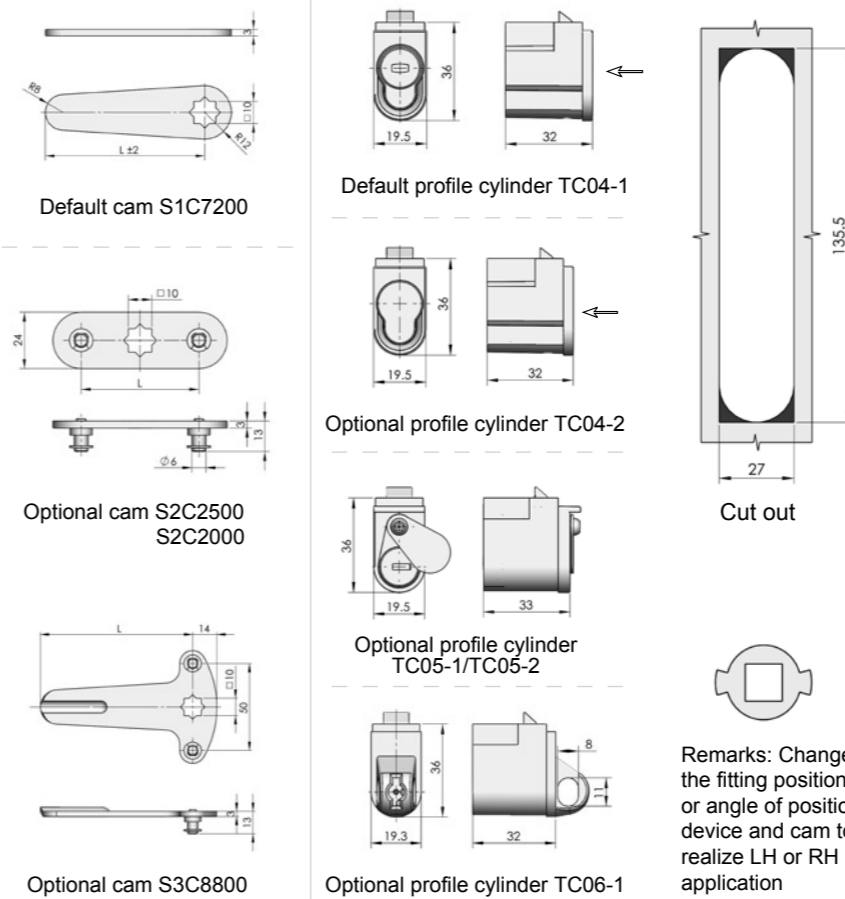
Remarks: Change the fitting position or angle of position device and cam to realize LH or RH application

Program	ERP	L1	L3	W1	W3	GH	A2	A3	Cam	Default key
MS712	MS712Z2B040001	149	139.5	38	29.5	30	22	22.5	S1C7200	K040
MS712-2A	MS712Z2B110001	132	124	33.5	27.5	30	22	17	S1C7200	K110
MS712-3A	MS712Z2B110002	92	84	33.5	27.5	30	22	17	S1C7200	K110
MS713	MS713Z2B090001	110	102	33.5	27	30	22	17	S1C6200	K090

Remarks : ERP excludes Cam



MS818-2C MS818-1C MS818-1S



Optional cam S3C8800

Program	ERP	
	Black satin powder coated	Nanometer matte painted
MS818-1C	MS818A1A040001	MS818A2B040001
MS818-2C	MS818A1A040003	MS818A2B040003
MS818-1S	MS818A1A040002	MS818A2B040002

Remarks : ERP excludes Cam

MS818



MS818-1S



MS818-1C



MS818-2C

**RL** **3PL**

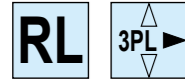
**Main material and finish:** Black powder coated aluminium-alloy housing and ZDC handle, bright chrome plated ZDC profile cylinder, white zinc plated steel support and cam

**Application:** Quick-open, easy assembling. one-point locking or three-point locking function will be achieved with different cam mounted on

**Remark :** Default profile cylinder TC04-1, default key K040

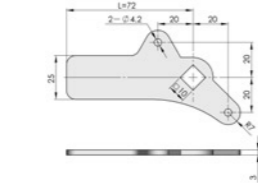
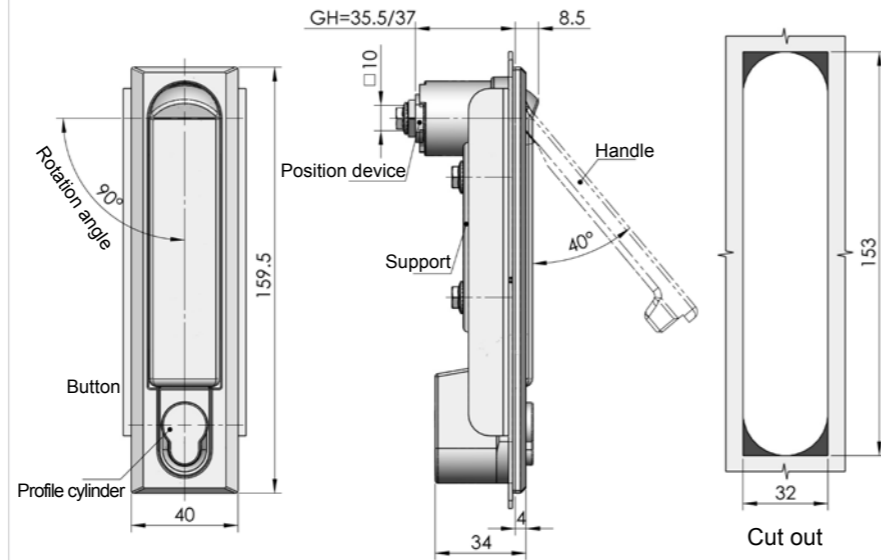
**Default cam:** S1C72Y00002

**MS818-3B**

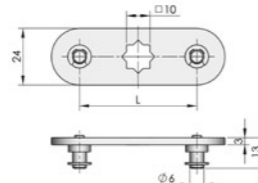


**Main material and finish:** ZDC handle, bright chrome-plated ZDC profile cylinder, white zinc-plated steel support and cam  
**Application:** Quick-open, easy assembling, change cam to have one-point or three-point locking function  
**Remarks:** Default profile cylinder TC04-2, default key K040

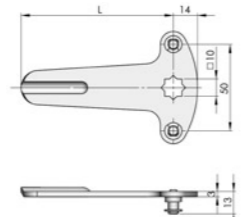
**Default cam:** S3C72Y00002



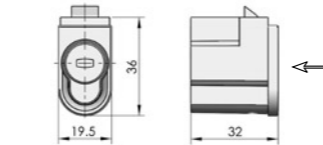
Default cam S3C7200



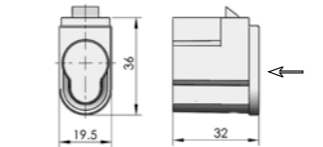
Optional cam S2C2500  
S2C2000



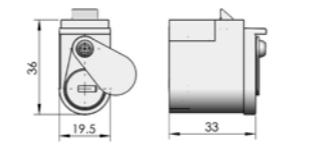
Optional cam S3C8800



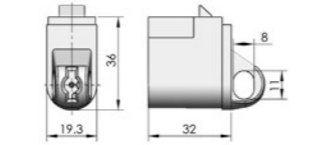
Default profile cylinder TC04-1



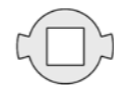
Optional profile cylinder TC04-2



Optional profile cylinder TC05-1/TC05-2



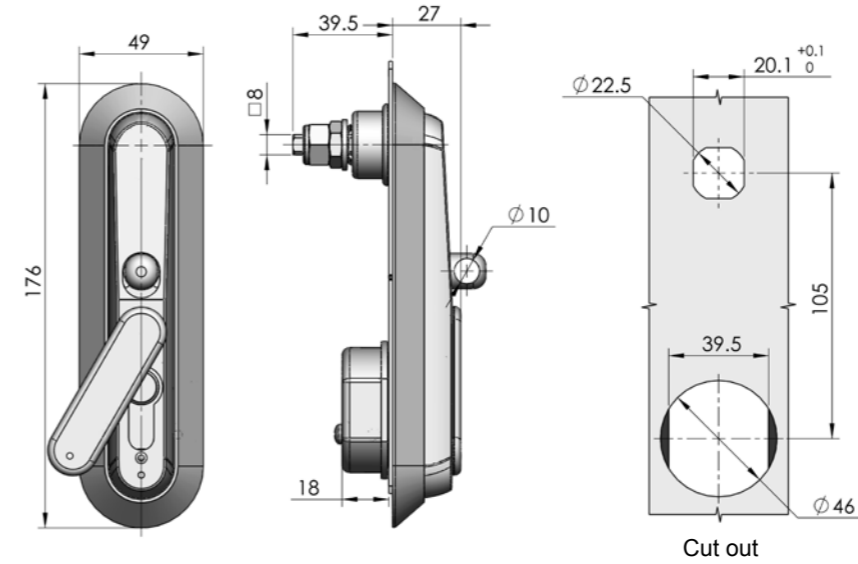
Optional profile cylinder TC06-1



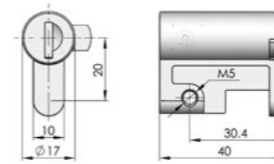
Remarks: Change the fitting position or angle of position device and cam to suit LH or RH application

	Black powder coated housing and handle	Nanometer painted housing and handle
<b>ERP</b>	MS818Z1A000001	MS818Z2B000001

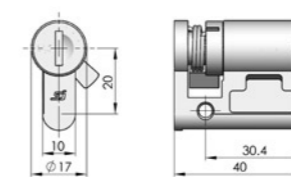
Remarks : ERP excludes Cam



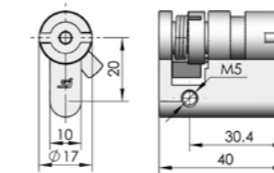
TC01(Default)



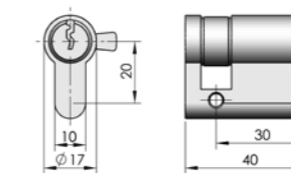
TC01-2(Optional)



TC02-1(Optional)



TC03-1(Optional)



Specification	ERP
ZDC handle and housing (Without padlock)	MS839Z1B140001
ZDC handle and housing (With padlock)	MS839Z1B140002
ZDC handle and PA housing (Without padlock)	MS839N00140001
ZDC handle and PA housing (With padlock)	MS839N00140002

**MS839**

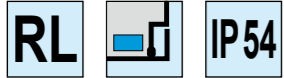


**Main material and finish:** Pocked black powder coated handle and housing, bright chrome-plated profile cylinder, white zinc-plated steel support and cam  
**Application:** Lead sealable, stop height is variable according to the adjusting nut on cam  
**Remarks:** Default TC01 profile cylinder, default key K140

**Default Cam:** S1C72Y00002



**MS861**

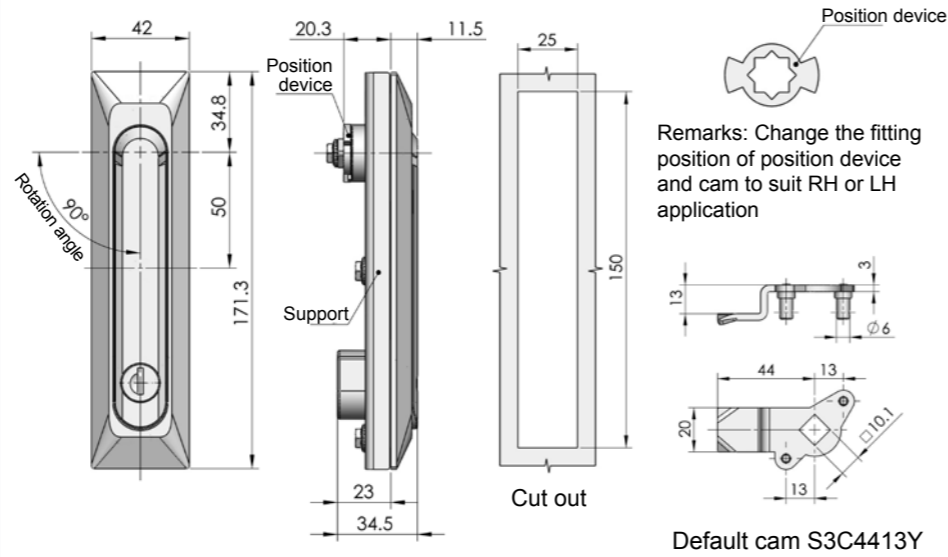


**Main material and finish:** Pocked black power coated ZDC housing and handle, white zinc-plated steel cam, stainless steel shaft

**Application:** Open the handle upward quarter-turn opening, adding electronic shielding part to have function of shielding

**Remarks:** Default key K140

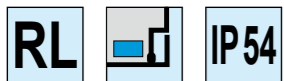
**Default cam:** S3C44Y13005(Right)  
S3C44Y13002(Left)



	Pocked black powder coated housing and handle	Nanometer painted housing and handle
ERP	MS861Z1B140002	MS861Z2B140002

Remarks: ERP excludes cam (cutout square 10mm)

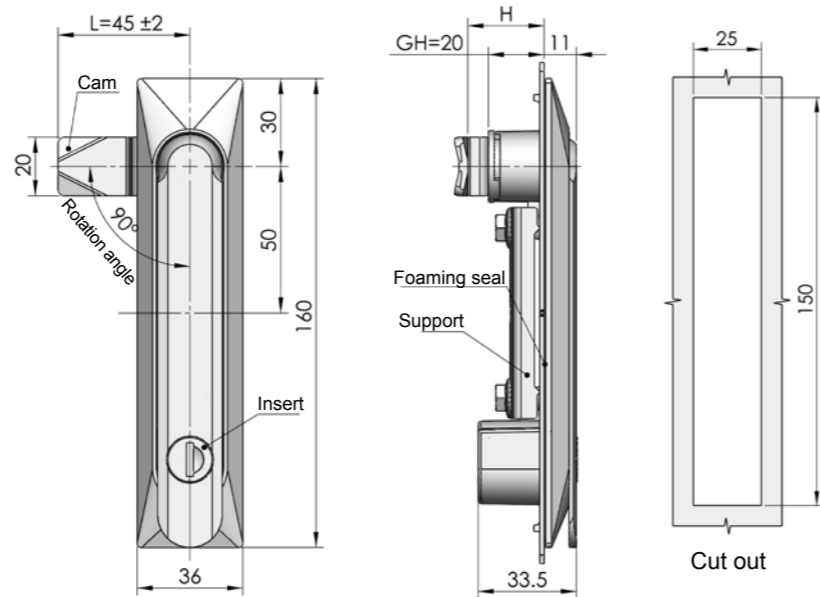
**MS861-2**



**Main material and finish:** ZDC housing, handle and shaft, white zinc-plated steel cam

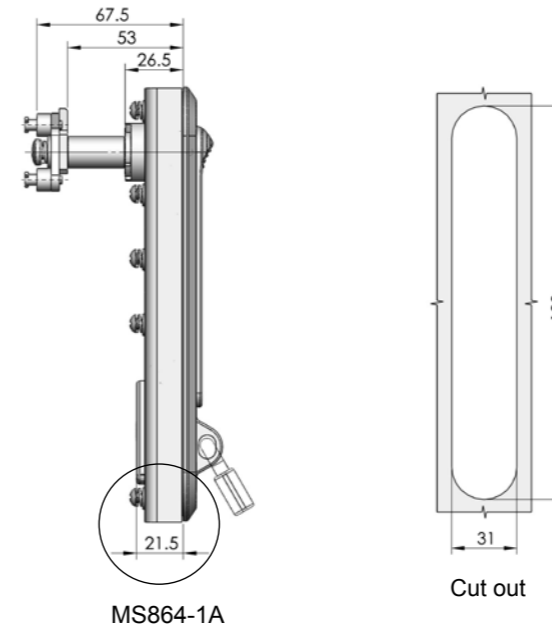
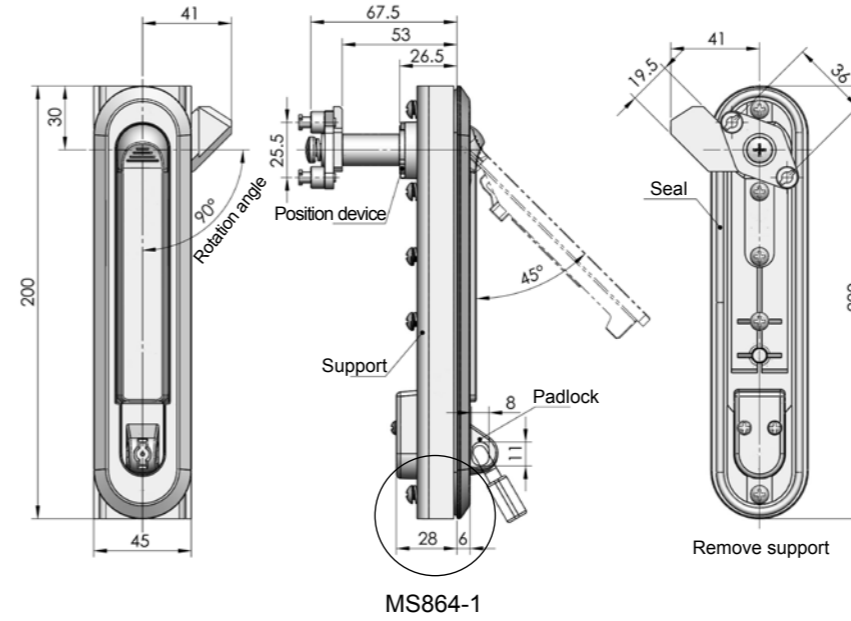
**Application:** Open the handle upward, quarter-turn rotation opening

**Remarks:** Default K140 key



	Pocked black powder coated housing and handle	Nanometer painted housing and handle
ERP	MS861Z1B140002	MS861Z2B140002

Remarks: ERP excludes cam (Cutout square 10mm), cam optional refers to S1B cam list on P007



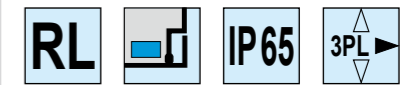
Remarks: Five optional profile cylinder for MS864-1, TC04~TC06--1 ( See P029), default profile cylinder TC06-1, the only difference from MS864-1A is the end height of housing, MS864-1A optional profile cylinder TC06-2, TC06-3, TC06-4, default profile cylinder TC06-2 ( See P029)

Remarks : Change the fitting position of position device and cam to suit RH and LH application

	MS864-1	MS864-1A
ERP	MS864Z1A290001	MS864Z1A290003

Remarks: Cam cutout square 10mm

**MS864-1  
MS864-1A**

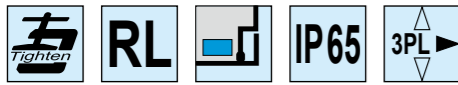


**Main material and finish:** Black powder coated ZDC housing and handle, ZDC shaft, white zinc-plated steel cam

**Application:** Open the handle upward, quarter-turn rotation opening, padlockable

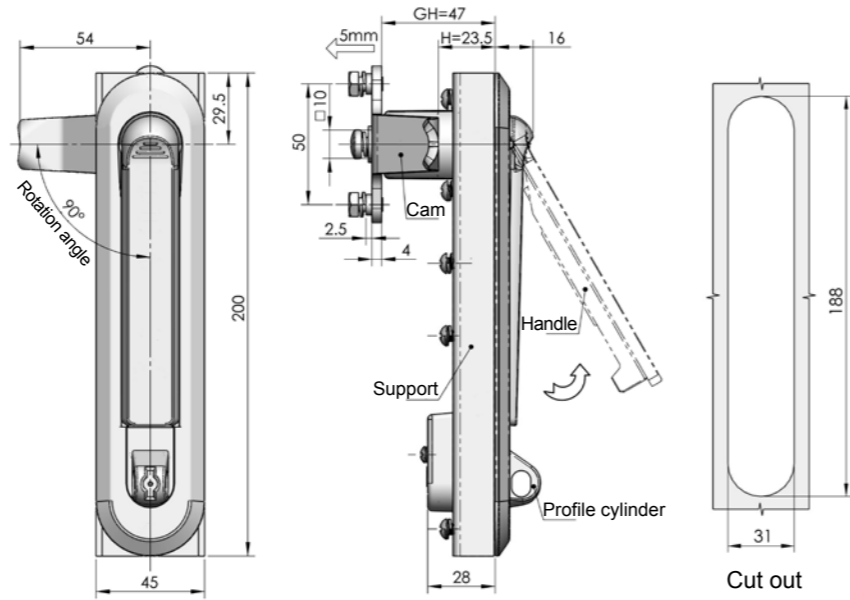
**Remarks:** MS864-1 default profile cylinder TC06-1  
MS864-1A default profile cylinder TC06-4  
Default key K290

**MS864-3**

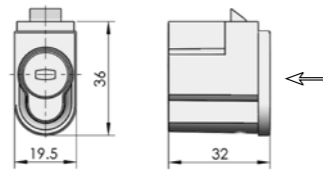


**Main material and finish:** Black powder coated ZDC housing and handle, stainless steel shaft, white zinc-plated steel cam  
**Application:** Open the handle upward, quarter-turn rotation opening, with function of locking, padlockable  
**Remarks:** Default profile cylinder TC06-1

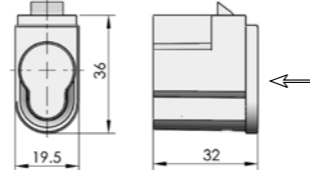
**Default cam: 2888643001**



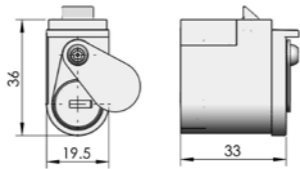
TC04-1(Optional)



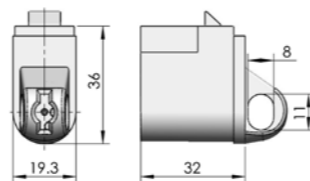
TC04-2(Optional)



TC05-1(Optional)

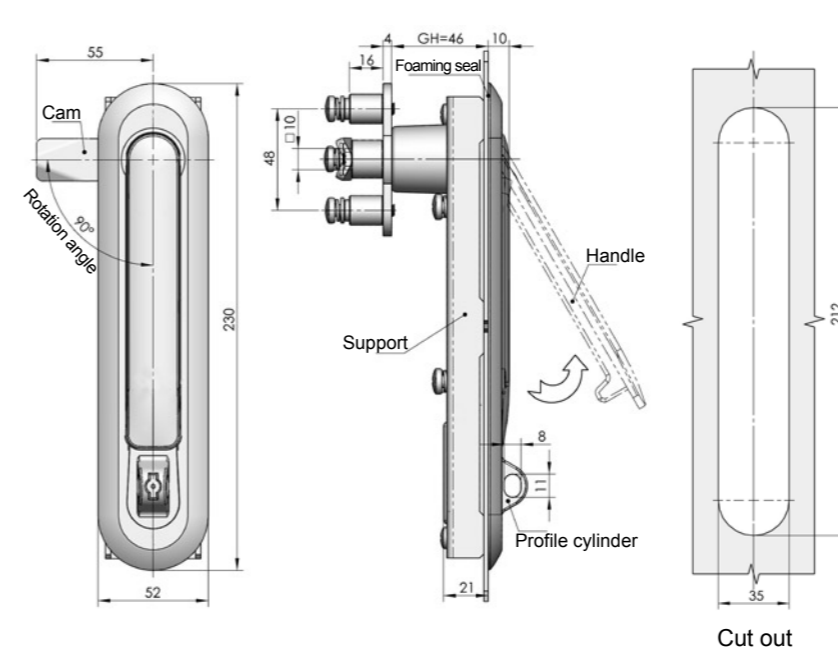


TC06-1(Default)

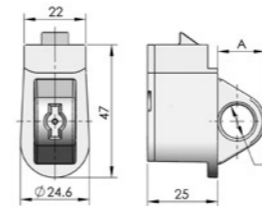


**ERP** MS864Z1A290014

Remarks : ERP excludes Cam



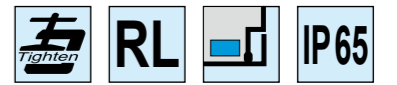
TC06-2(Optional)



Profile cylinder	A	B
TC06-2	17	Ø12
TC06-3	26.5	Ø14
Default TC06-4	12	Ø8x11

**ERP** MS864Z1A290015

**MS864-3A**



**Main material and finish:** Black powder coated ZDC housing and handle, stainless steel shaft, white zinc-plated steel cam  
**Application:** Open the handle upward, quarter-turn opening, with function of locking, padlockable  
**Remarks:** Default profile cylinder TC06-4

**MS863**

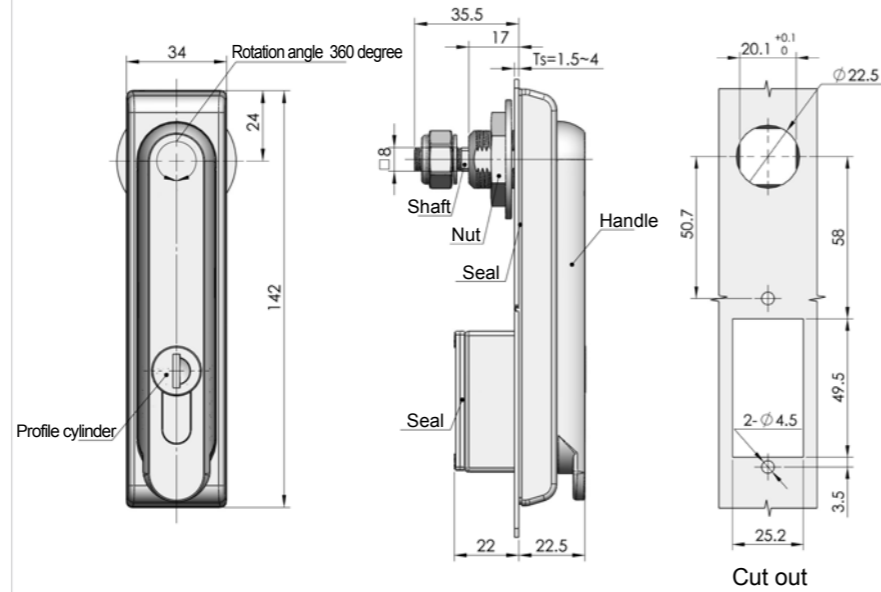


**RL IP64**

**Main material and finish:** ZDC housing, handle, and profile cylinder, stainless steel cam and shaft

**Application:** Open the handle upward, 360 degree rotation opening

**Remarks:** Default profile cylinder TC01, default key K140



	Nanometer painted ZDC housing and handle	Yellow gray powder coated housing and handle
<b>ERP</b>	MS863Z2B140001	MS863Z1E140001

**MS874**

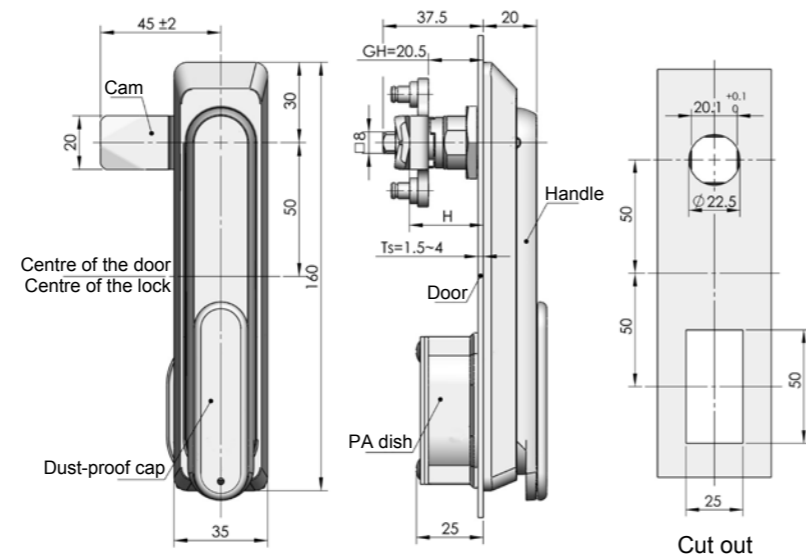


**RL IP54 3PL INOX AISI 3..**

**Main material and finish:** Stainless steel lock-body and cam, PA dish

**Application:** Open the handle upward, quarter-turn opening or closing

**Remarks:** Default profile cylinder TC01



Remarks: Default cam S3B4510, H=20.5+10, default profile cylinder TC01. Cam cutout square 8mm, optional cam, three-point, two-point or one-point cam, see cam list on P007

<b>ERP</b>	MS874S4BE03001
------------	----------------

Remarks : ERP excludes Cam

**MS861-2A**

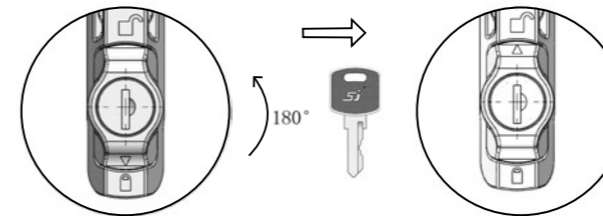
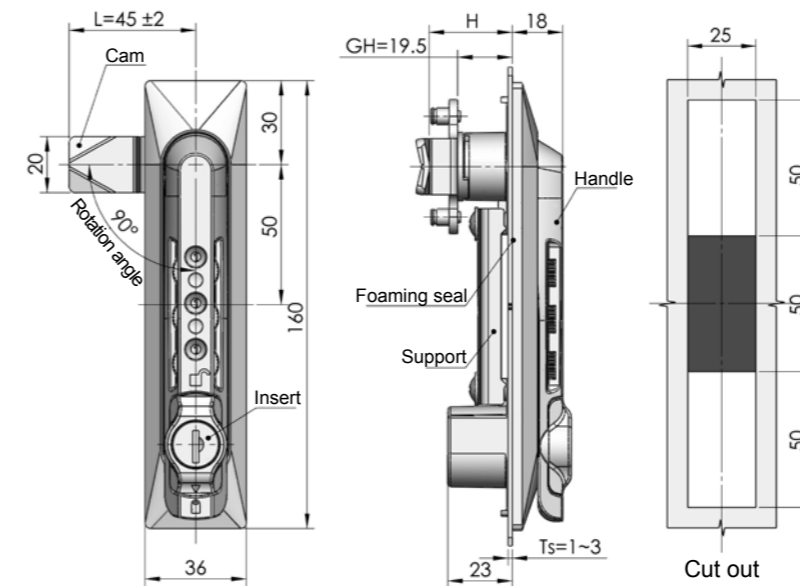


**RL IP54 3PL**

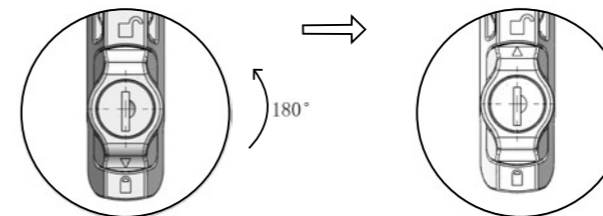
**Main material and finish:** Black PA housing, handle and knob, white zinc-plated steel cam and support

**Application:** Refer to instruction along with

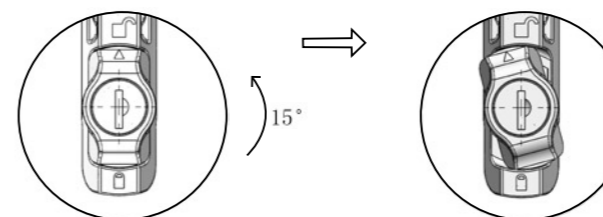
**Remarks:** Default key K140



Use key to open the lock, without password



Enter password to open the lock, open lock with password instead of key, original password: "0,0,0"



Change the password (It is correct), when knob indicates opening position, anti-clockwise rotation 15 degree to change the password

<b>ERP</b>	MS861N00140001
------------	----------------

Remarks: ERP excludes cam (Cutout square 8mm), cam optional refers to S3B cam list on P007

