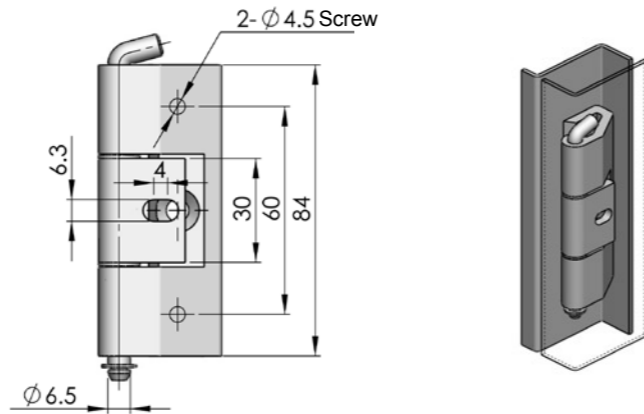
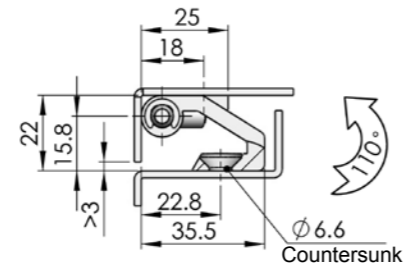


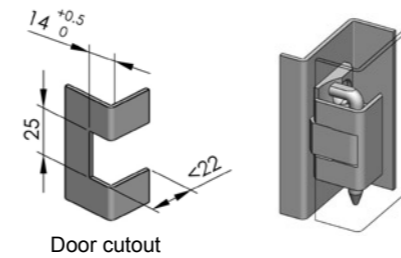
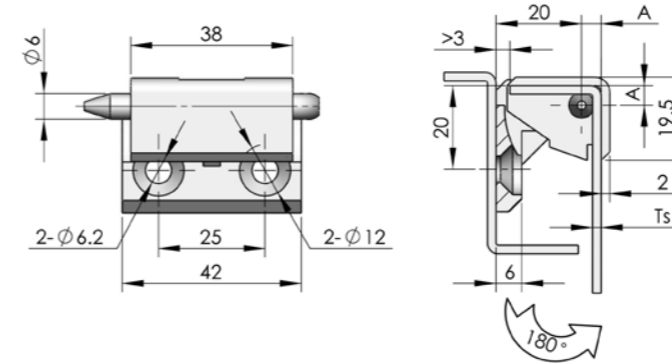
CL210



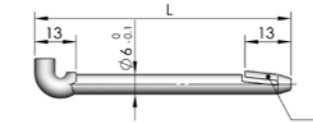
Main material and finish: Zinc hinge, steel pin, PA gasket set
Application: Opening angle 110°



ERP	Matt black powder coated	Nanometer painted
CL210Z1A001		CL210Z2B001



Optional nylon pin



Part No.	L
PN001	57
PN002	78

ERP	Specification	A
CL212Z1A001	Suitable door thickness, Ts=2mm	5.1
CL212Z1A003	Suitable door thickness, Ts=3mm	6.1
CL212Z1A004	Suitable door thickness, Ts=1.5mm	4.6

CL212

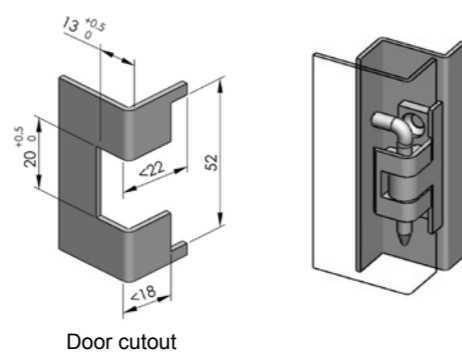
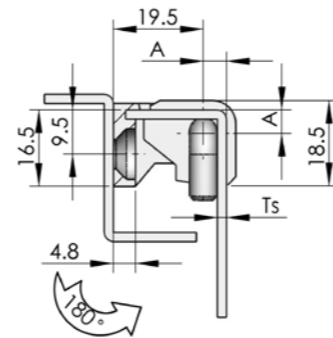
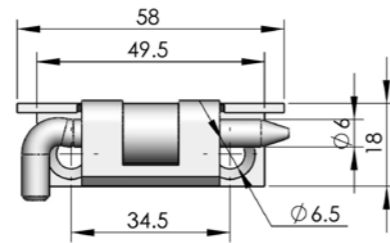


Main material and finish: Black powder coated ZDC hinge, nickel-plated steel pin
Application: Opening angle 180°

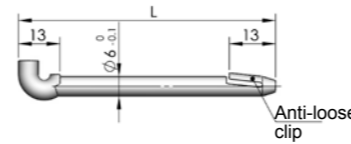
CL211



Main material and finish: Black powder coated ZDC hinge, nickel-plated steel pin
Application: Opening angle 180°

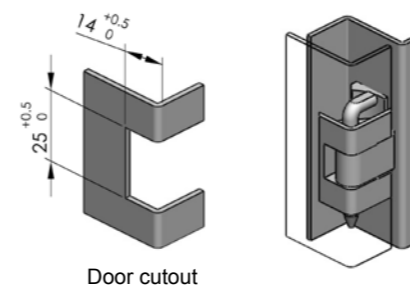
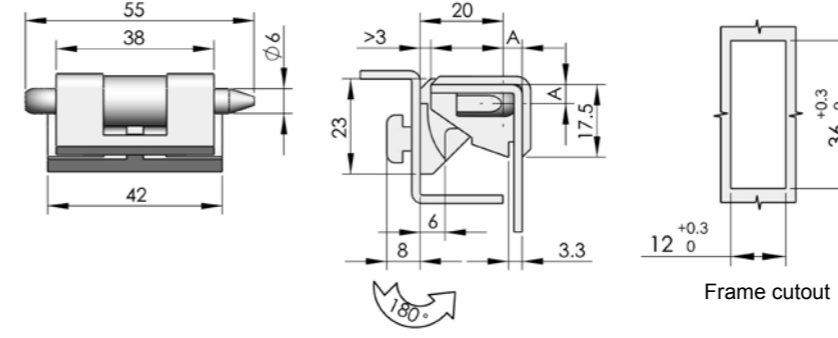


Optional nylon pin

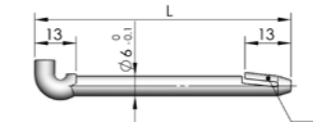


Part No.	L
PN001	57
PN002	78

ERP	Specification	A
CL211Z1A001	Suitable door thickness, Ts=1.5mm	4.6
CL211Z1A010	Suitable door thickness, Ts=2mm	5.1



Optional nylon pin



Part No.	L
PN001	57
PN002	78

ERP	Specification	A
CL212Z1A002	Suitable door thickness, Ts=2mm	5.1
CL212Z1A005	Suitable door thickness, Ts=3mm	6.1
CL212Z1A006	Suitable door thickness, Ts=1.5mm	4.6

CL212-3A



Main material and finish: Black powder coated ZDC hinge, nickel-plated steel pin
Application: Opening angle 180°