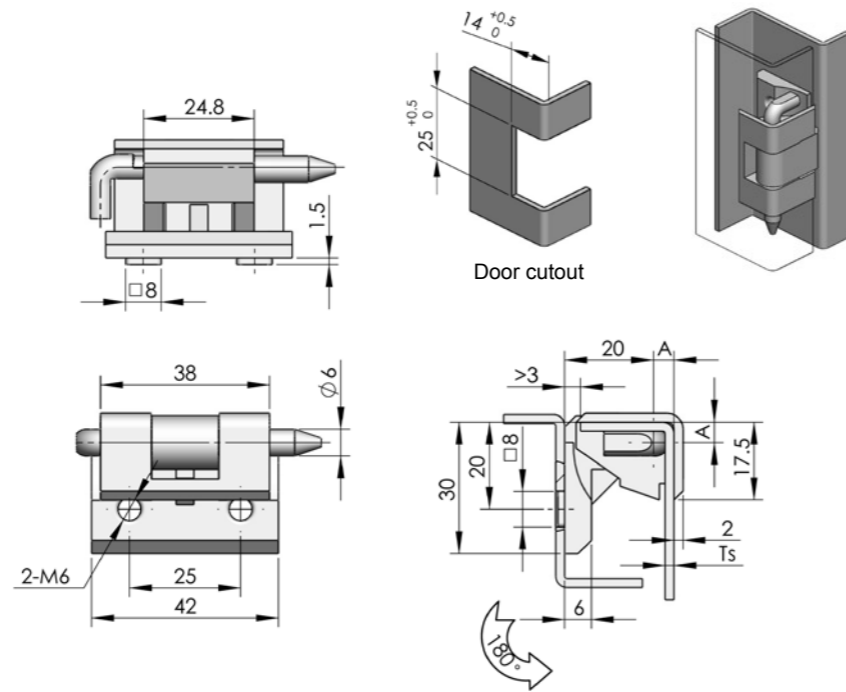


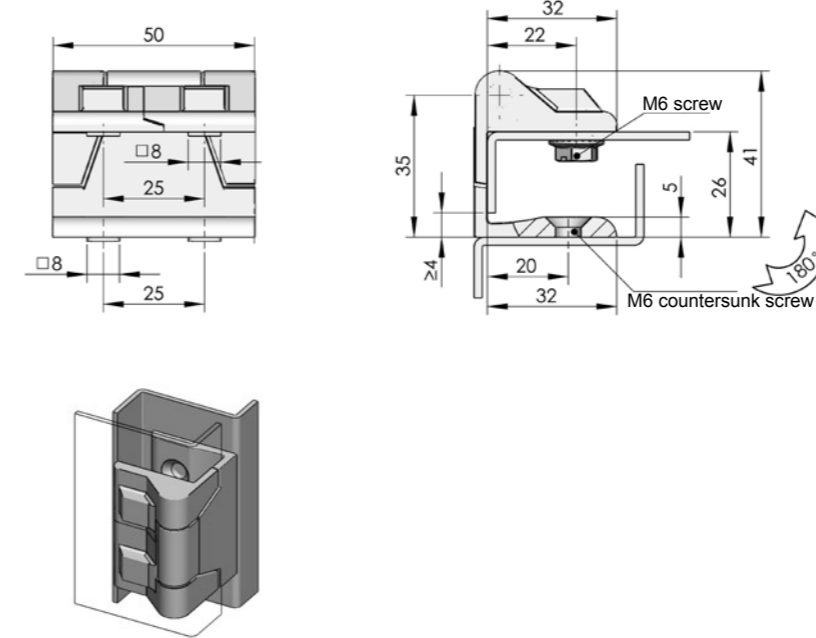
**CL212-3B**



**Main material and finish:** Black powder coated ZDC hinge, nickel-plated steel pin  
**Application:** Opening angle 180°



| ERP         | Specification                     | A   |
|-------------|-----------------------------------|-----|
| CL212Z1A007 | Suitable door thickness, Ts=2mm   | 5.1 |
| CL212Z1A008 | Suitable door thickness, Ts=3mm   | 6.1 |
| CL212Z1A009 | Suitable door thickness, Ts=1.5mm | 4.6 |



| ERP | Black powder coated | Pocked black powder coated |
|-----|---------------------|----------------------------|
|     | CL213Z1A003         | CL213Z1B002                |

**CL213-2**

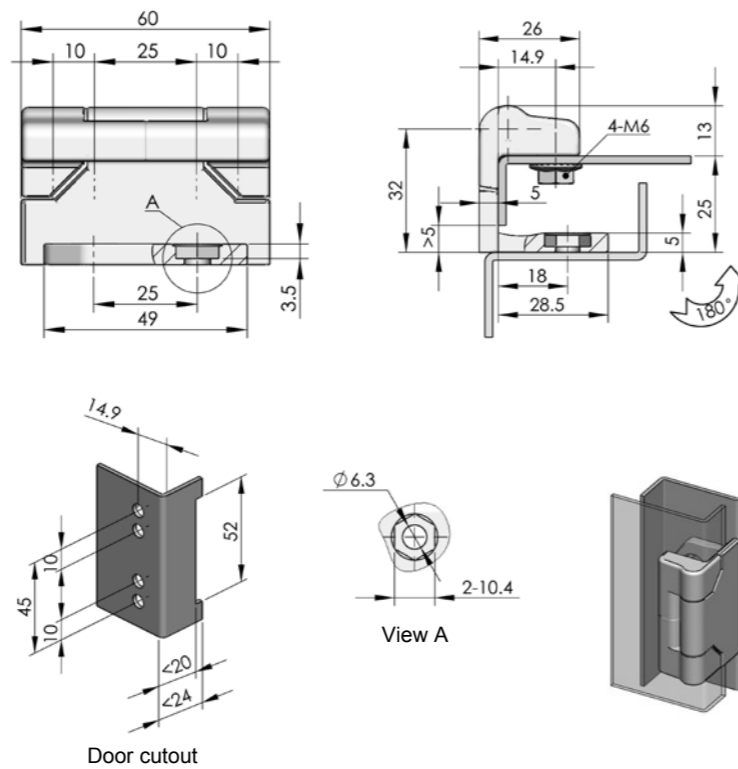


**Main material and finish:** Zinc hinge, brass gasket, steel pin  
**Application:** Opening angle 180°

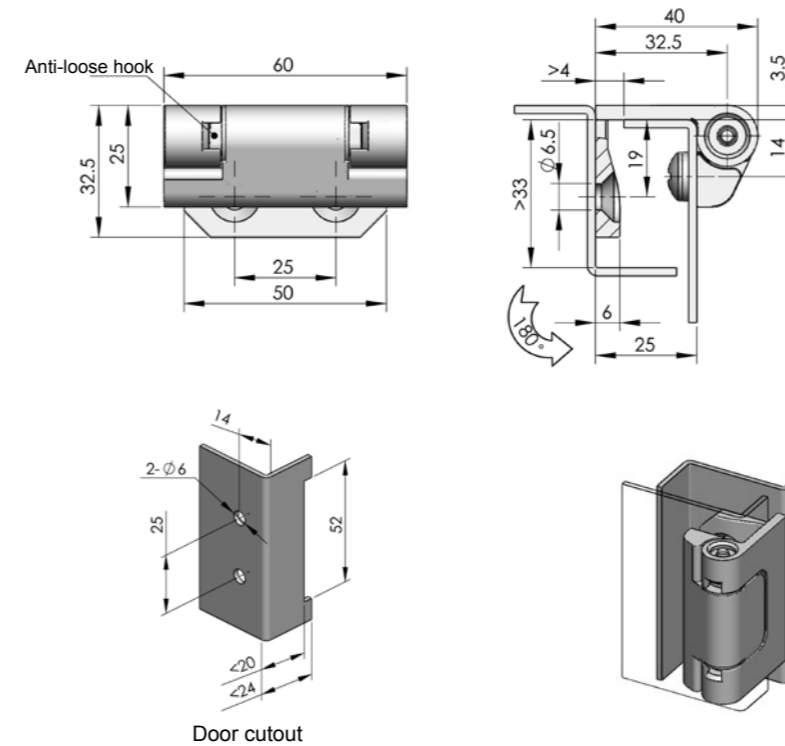
**CL213-1**



**Main material and finish:** Black powder coated ZDC hinge, nickel-plated steel pin, brass gasket  
**Application:** Opening angle 180°



| ERP | CL213Z1A001 |
|-----|-------------|
|     |             |



| ERP | Black powder coated | Pocked black powder coated |
|-----|---------------------|----------------------------|
|     | CL213Z1A004         | CL213Z1B003                |

**CL213-3**



**Main material and finish:** Zinc hinge, PA shaft  
**Application:** Opening angle 180°