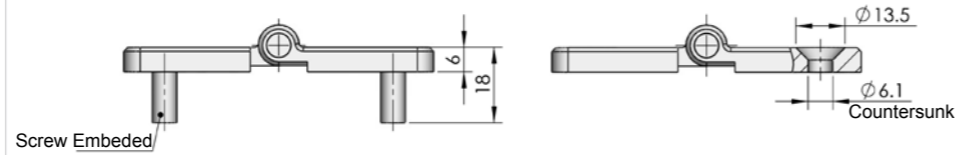
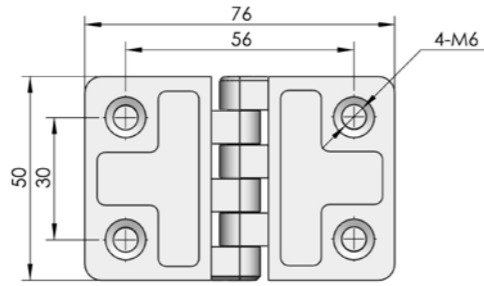


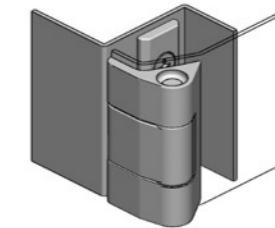
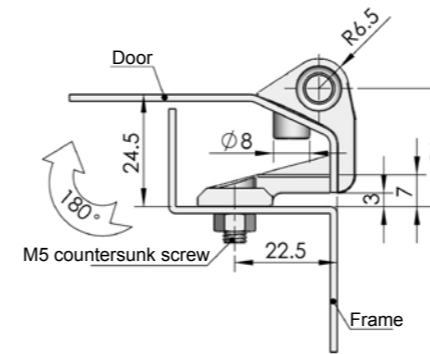
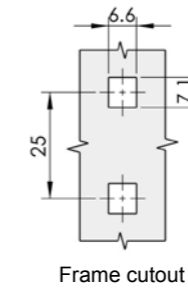
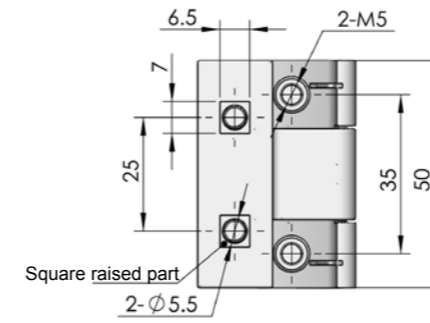
CL214



Main material and finish: Zinc hinge and steel pin
Application: Opening angle 180°



Specification	ERP	
	CL214-1	CL214-2
Bright chrome-plated	CL214Z3A001	CL214Z3A002
Matt black powder coated	CL214Z1A001	CL214Z1A003
Pocked black powder coated	CL214Z1B001	CL214Z1B002
Nanometer painted	CL214Z2B001	CL214Z2B002



ERP CL216Z1A001

CL216

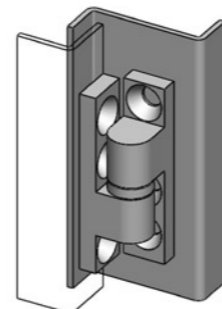
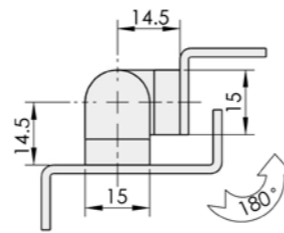
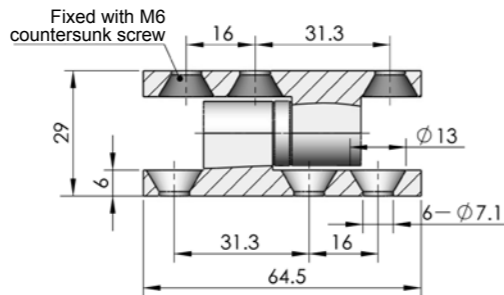


Main material and finish: Black powder coated ZDC hinge, nickel-plated steel pin
Application: Opening angle 180°

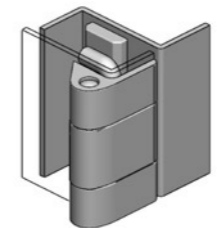
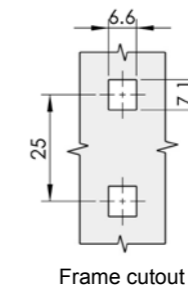
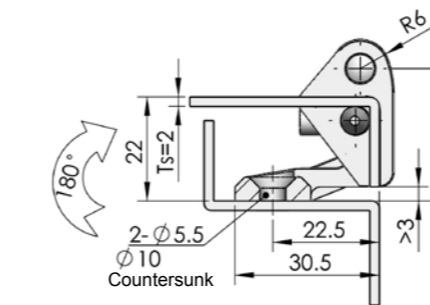
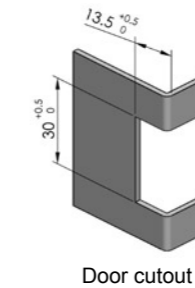
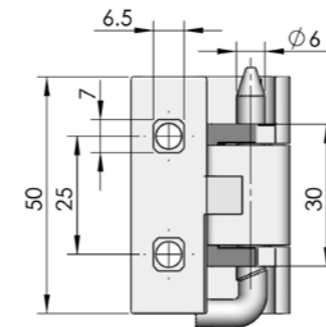
CL215



Main material and finish: White zinc plated steel hinge, PA washer
Application: Opening angle 180°



ERP CL215F3D001



ERP CL217Z1A001

CL217



Main material and finish: Black powder coated ZDC hinge, nickel-plated steel pin
Application: Opening angle 180°