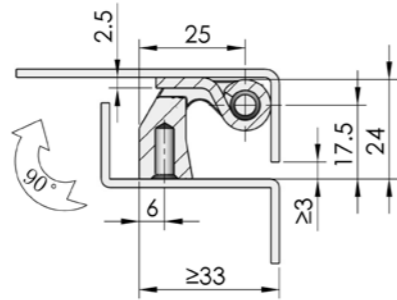
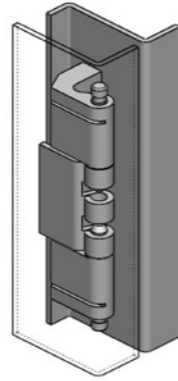
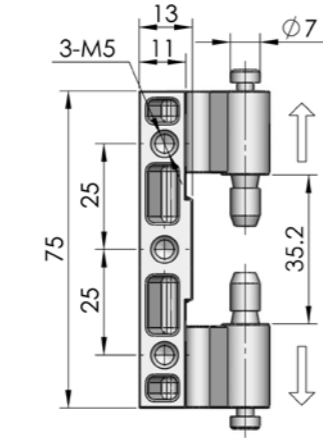


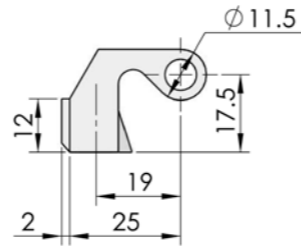
CL201-1



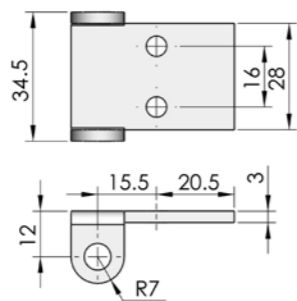
Main material and finish: ZDC hinge, steel pin and accessories
Application: Opening degree 90°



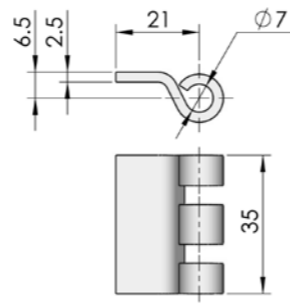
CL201-1



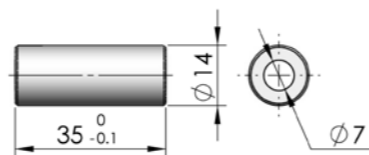
CL201-1A



"U" shape accessory

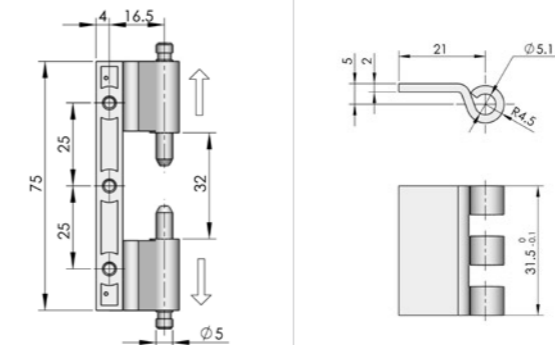
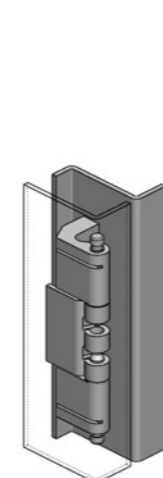


Claw shape accessory

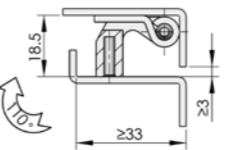
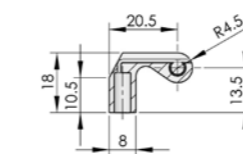


Pipe shape accessory

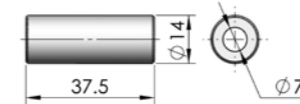
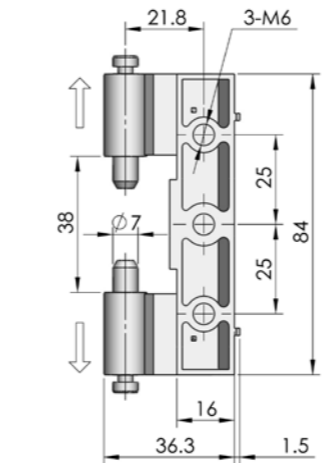
	Black powder coated	Nanometer painted	Blast sprayed
ERP	CL201Z2A002	CL201Z2B002	CL201Z4D002



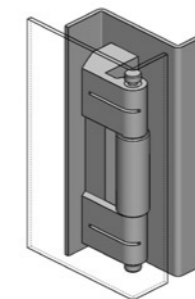
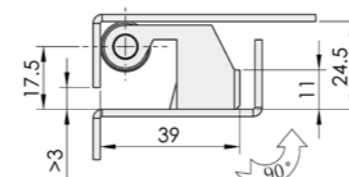
Claw shape accessory



	Black powder coated	Nanometer painted	Blast sprayed
ERP	CL201Z2A006	CL201Z2B004	CL201Z4D007



Pipe shape accessory



	Black powder coated	Nanometer painted	Blast sprayed
ERP	CL201Z2A011	CL201Z2B008	CL201Z4D009

CL201-2



Main material and finish: ZDC hinge, steel pin and accessories
Application: Opening degree 110°

CL201-3



Main material and finish: ZDC hinge, steel pin and accessories
Application: Opening degree 90°