

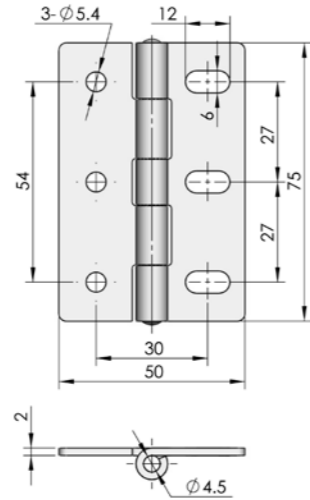
Accessories
Handle lock
Cylinder lock
Electronic lock
Plane lock
Rod control lock
Panel lock
Toggle and hook
Handles
Door stop
Hinge
Seal gasket

CL253-2
CL253-3



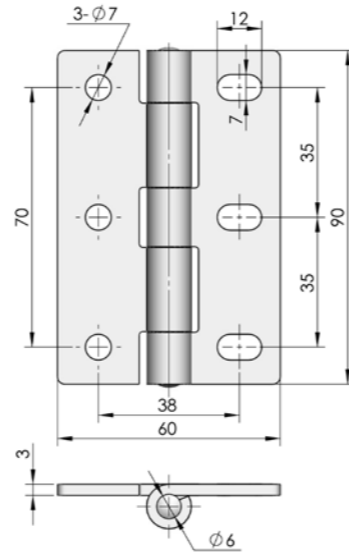
Main material and finish: Mirror polishing stainless steel hinge
Application: Opening angle 180°

CL253-2

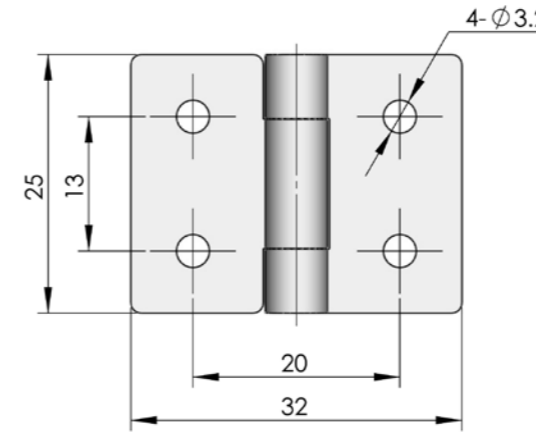
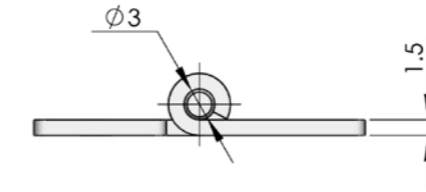


ERP CL253S4A002

CL253-3



ERP CL253S4A003



ERP CL253S4A011

CL253-4A

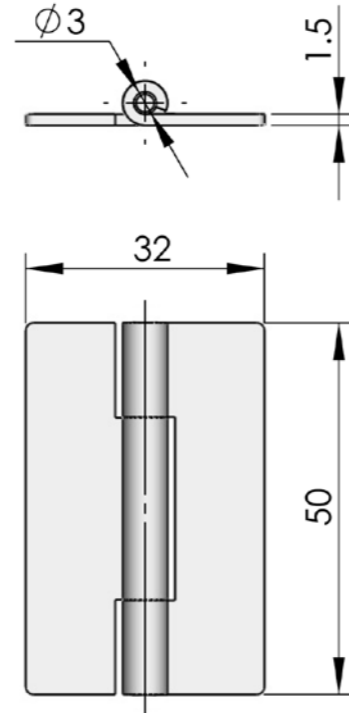


Main material and finish: Mirror polishing stainless steel hinge
Application: Opening angle 180°

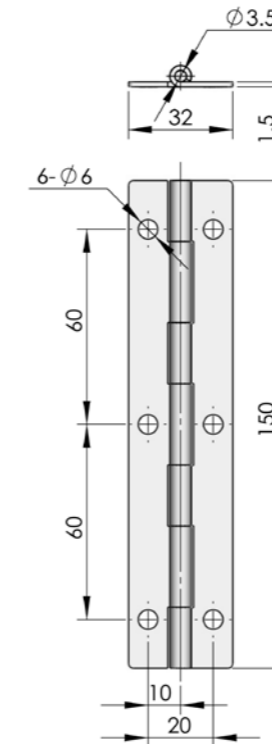
CL253-4



Main material and finish: Mirror polishing stainless steel hinge
Application: Opening angle 180°



ERP CL253S4A004



ERP CL253F3D001

CL253-5



Main material and finish: White zinc-plated steel hinge
Application: Opening angle 180°