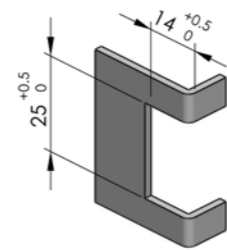
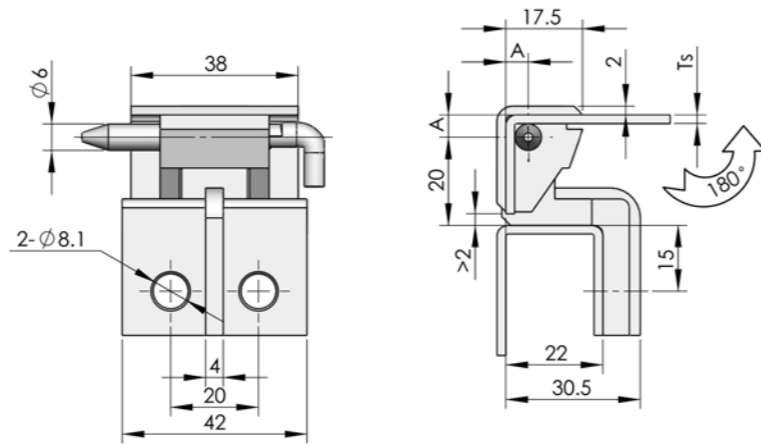


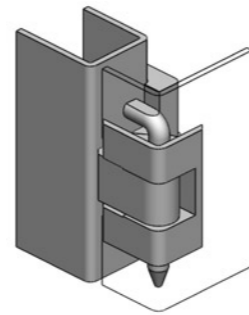
CL255



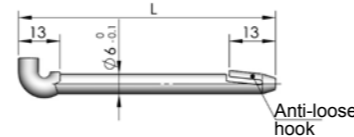
Main material and finish: Black powder coated hinge, nickel plated steel pin
Application: Opening angle 180°



Door cutout

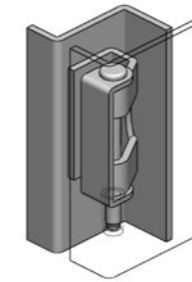
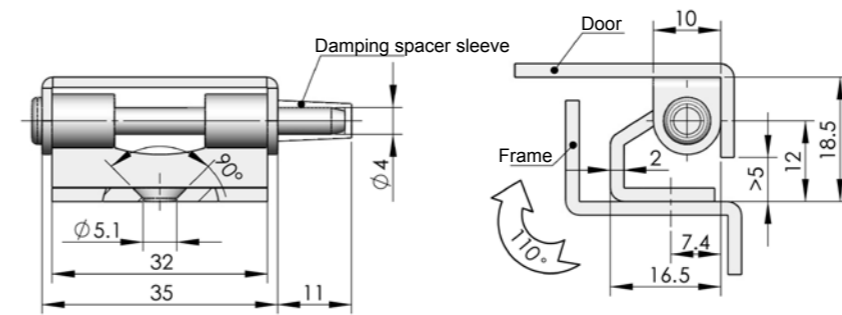


Nylon pin (Optional)



Part No.	L
PN001	57
PN002	78

ERP	Specification	A	Remarks
CL255Z1A001	Suitable door thickness Ts=2mm	5.1	ZDC hinge
CL255Z1A002	Suitable door thickness Ts=3mm	6.1	ZDC hinge
CL255Z1A003	Suitable door thickness Ts=1.5mm	4.6	ZDC hinge
CL255Z1A004	Suitable door thickness Ts=2mm	5.1	Steel female hinge
CL255Z1A005	Suitable door thickness Ts=3mm	6.1	Steel female hinge
CL255Z1A006	Suitable door thickness Ts=1.5mm	4.6	Steel female hinge



ERP

CL257F3D001

CL257

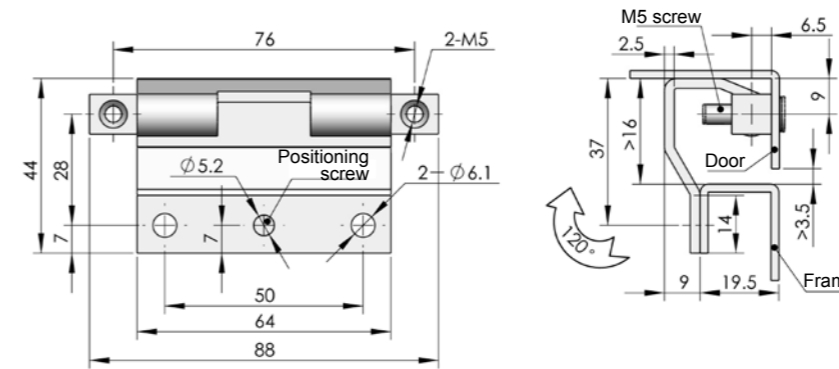


Main material and finish: White zinc-plated steel hinge and pin, PA spacer sleeve
Application: Opening angle 110°

CL260



Main material and finish: White zinc-plated steel hinge
Application: Opening angle 120°



ERP

CL260F3D001

