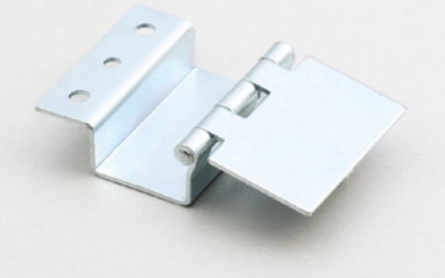
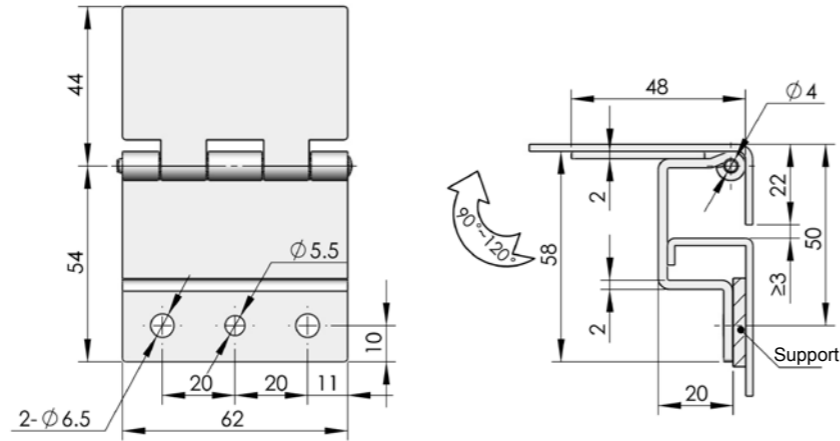


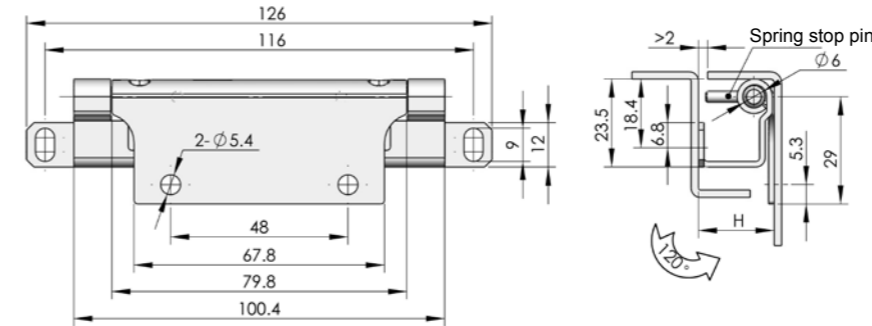
CL266



Main material and finish: White zinc-plated steel hinge



ERP	CL266F3D001
-----	-------------



ERP	H	Material
CL268S00001	23.9	Stainless steel
CL268S00002	20.5	Stainless steel
CL268S00003	17.5	Stainless steel
CL268F3D001	23.9	Steel
CL268F3D002	20.5	Steel
CL268F3D003	17.5	Steel

CL268



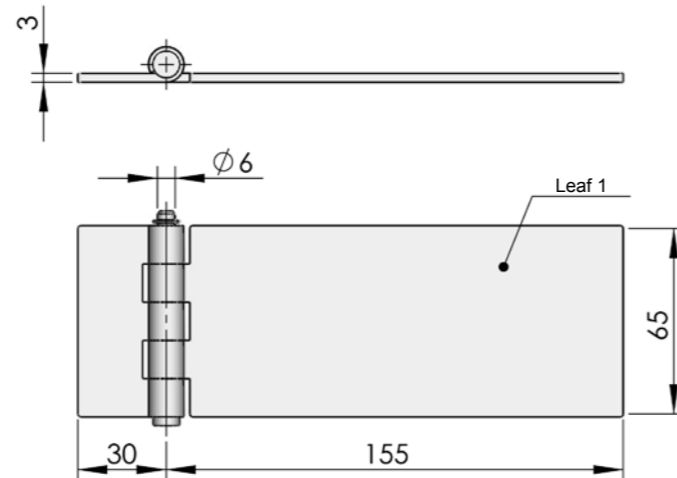
INOX
AISI
3..

Main material and finish: Stainless steel or steel hinge

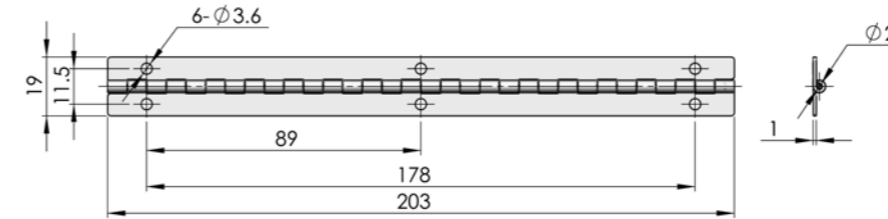
CL269



Main material and finish: White zinc-plated steel hinge



ERP	CL269F3D001
-----	-------------



ERP	CL253S00001
-----	-------------

CL253-13



Main material and finish: Aluminum alloy hinge leaf and shaft
Application: Opening angle 180°