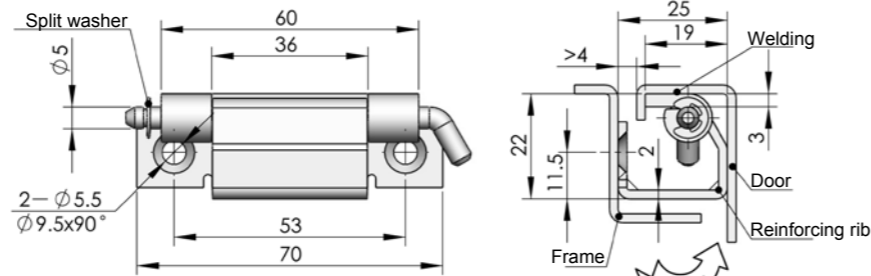


CL275-1

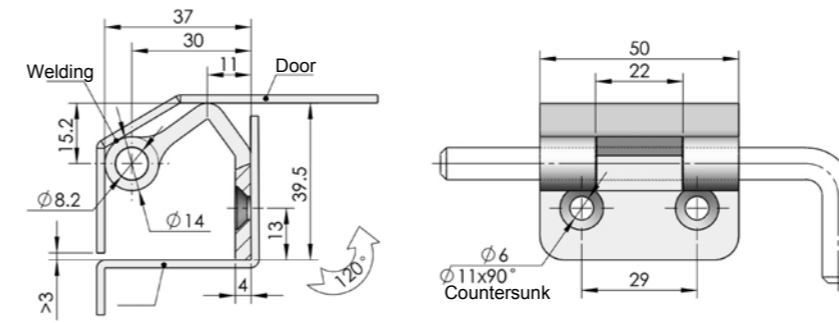
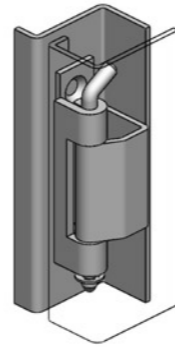


Main material and finish: White zinc-plated steel hinge
Application: Opening angle 120°



ERP

CL275F3D002



ERP

CL276Z3D001

CL276

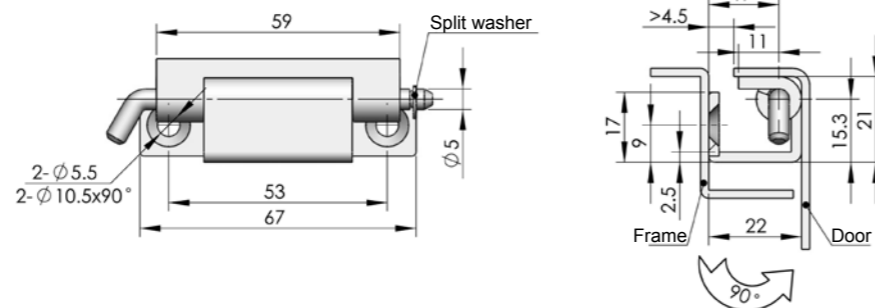


Main material and finish: White zinc-plated ZDC female hinge
Application: Opening angle 120°

CL275-2

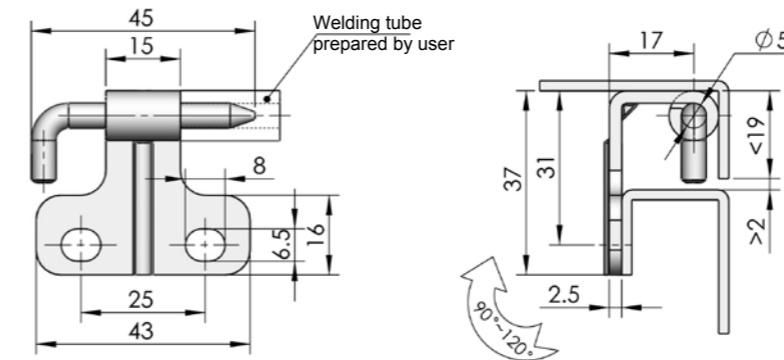
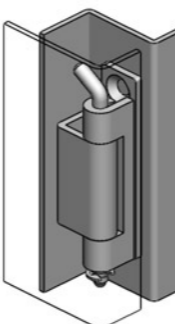


Main material and finish: White zinc-plated steel hinge
Application: Opening angle 120°



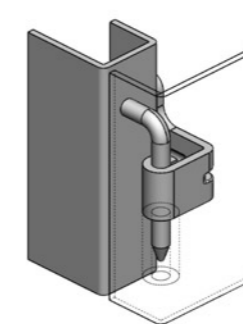
ERP

CL275F3D003



ERP

CL280F1A001



CL280



Main material and finish: Black powder coated steel female hinge, white zinc-plated pin
Application: Opening angle 120°