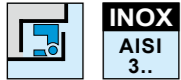
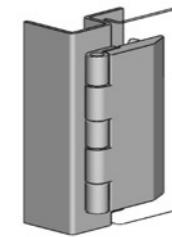
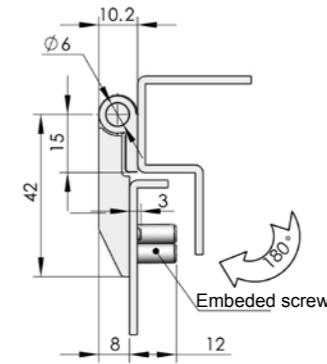
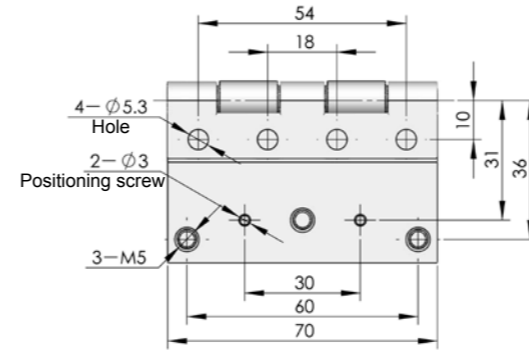
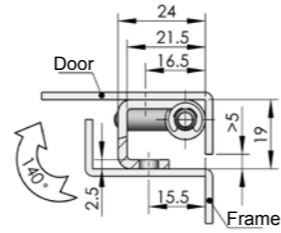
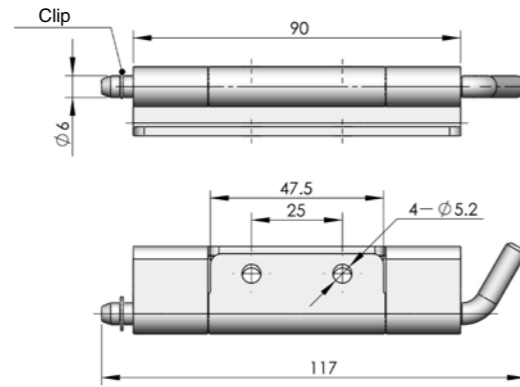


CL283-4



Main material and finish: Stainless steel hinge and pin
Application: Opening angle 140°



ERP CL283S00003

CL289



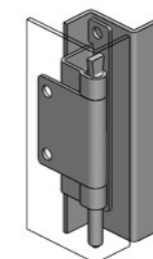
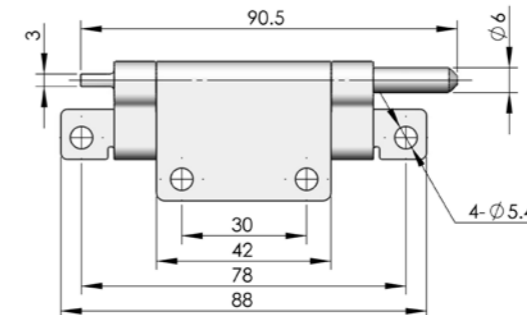
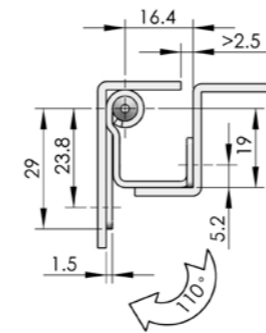
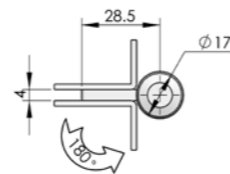
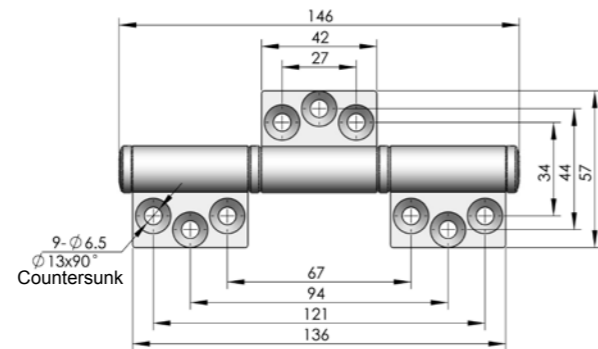
Main material and finish: ZDC female part
Application: Opening angle 180°

| | | | |
|-----|---------------------|---------------|-------------------|
| | Black powder coated | Black painted | Nanometer painted |
| ERP | CL289Z1A001 | CL289Z2A001 | CL289Z2B001 |

CL288



Main material and finish: Stainless steel hinge
Application: Opening angle 180°



ERP CL288S00001

ERP CL290S00001

CL290



Main material and finish: Stainless steel hinge
Application: Opening angle 110°