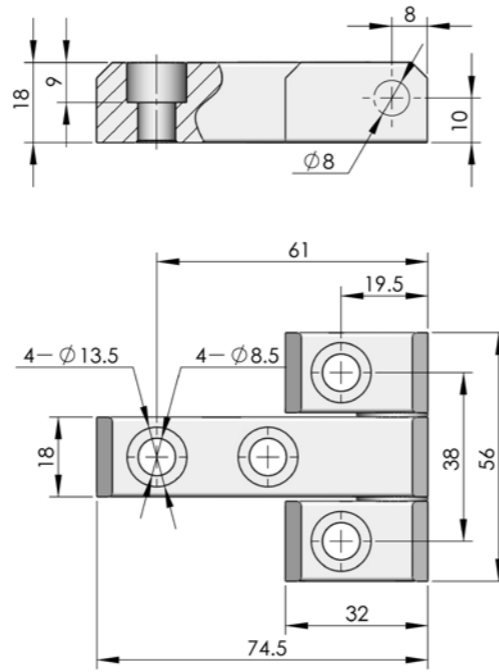


CL117

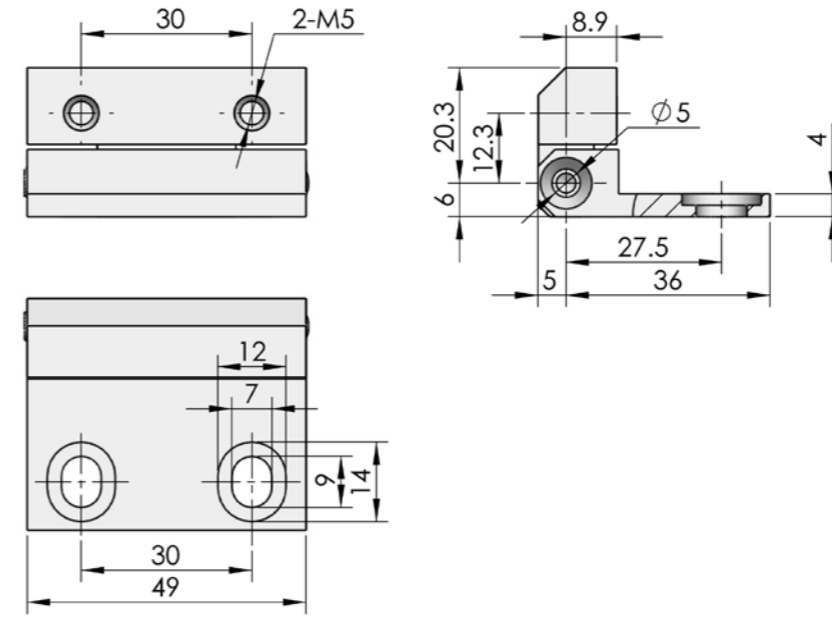


Main material and finish: White zinc-plated steel hinge and shaft



ERP

CL117F3D001



ERP

CL123Z1A001

CL123

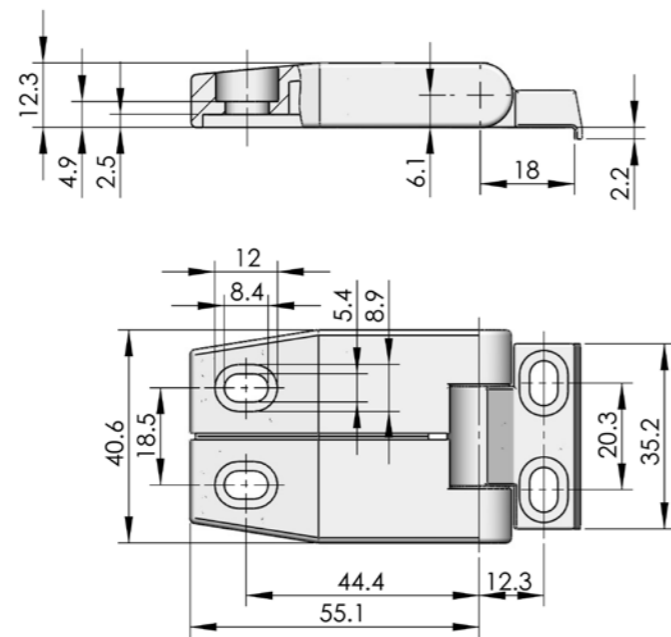


Main material and finish: Black powder coated aluminum alloy hinge and nickel-plated steel shaft

CL119

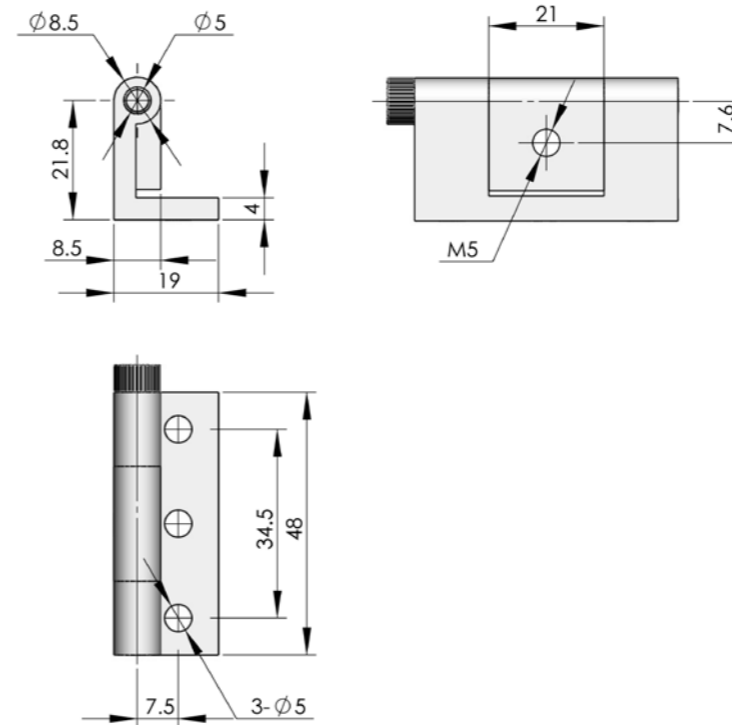


Main material and finish: Black powder coated ZDC hinge and nickel-plated steel shaft



ERP

CL119Z1A001



ERP

CL124Z1A001

CL124



Main material and finish: Black powder coated ZDC hinge and black steel shaft