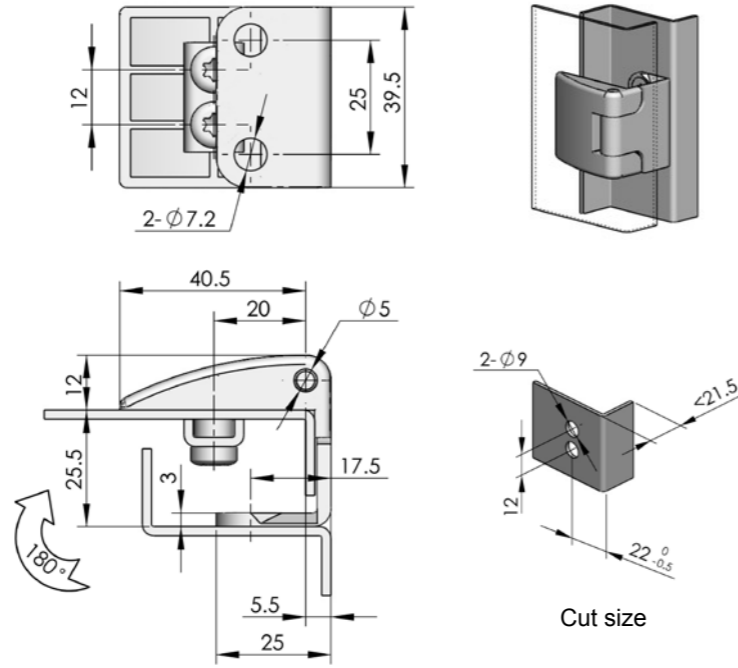


CL202-2



Main material and finish: ZDC door-part, steel frame-part, pin and screw
Application: Opening degree 180°

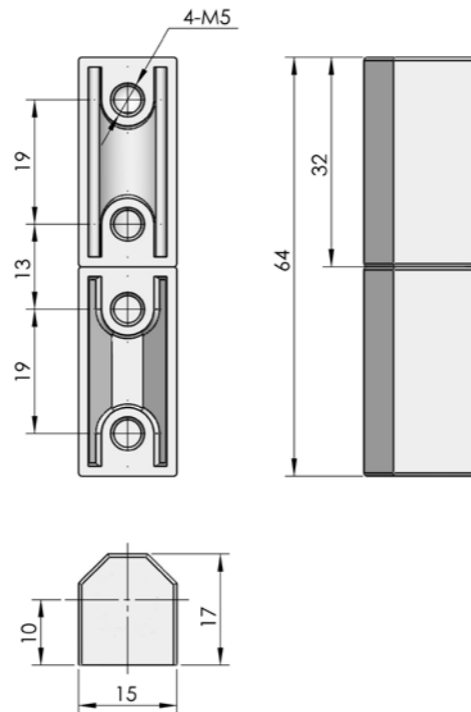


ERP	Matt black powder coated	Malachite green powder coated	Pocked black powder coated
ERP	CL202Z1A002	CL202Z1F001	CL202Z1B001

CL203-2B

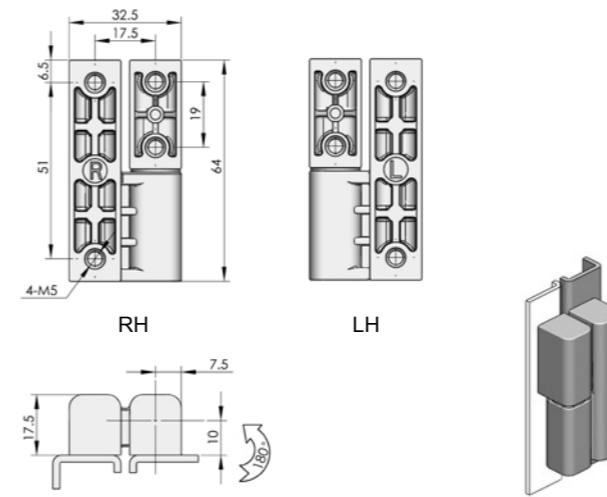


Main material and finish: ZDC hinge
Application: Opening degree 180°

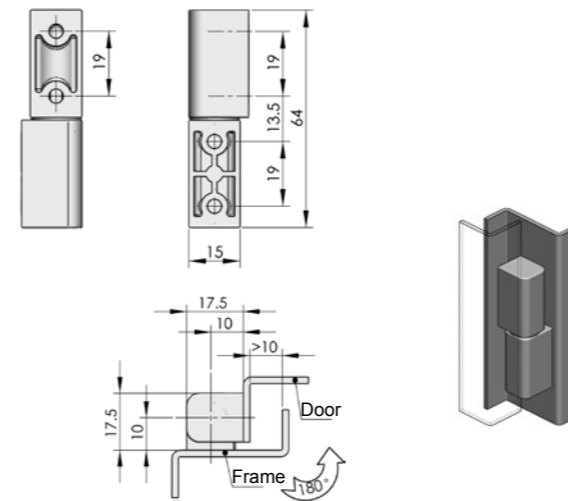


ERP	Black powder coated	Bright chrome plated
ERP	CL203Z1A007	CL203Z3A005

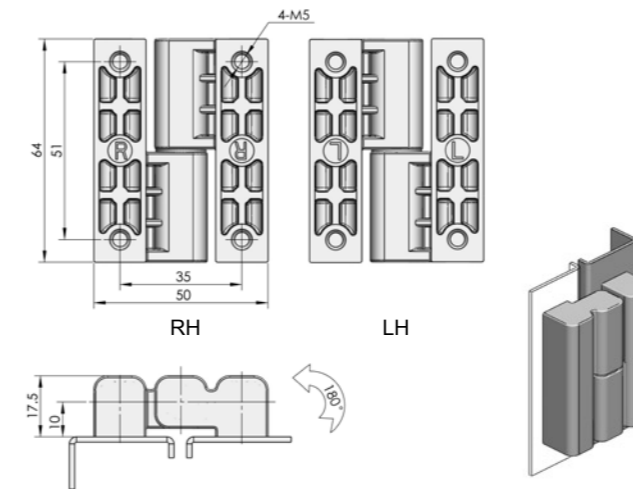
CL203-1



CL203-2



CL203-3



Specification	ERP				
	CL203-2	CL203-1 LH	CL203-1 RH	CL203-3 LH	CL203-3 RH
Matt black powder coated	CL203Z1A003	CL203Z1A001	CL203Z1A002	CL203Z1A008	CL203Z1A009
Pocked black powder coated	CL203Z1B004	CL203Z1B001	CL203Z1B002		
Nanometer painted	CL203Z2B003	CL203Z2B001	CL203Z2B002	CL203Z2B004	CL203Z2B005

CL203-1



CL203-2



CL203-3



Main material and finish: ZDC hinge PA bushing
Application: Opening degree 180°