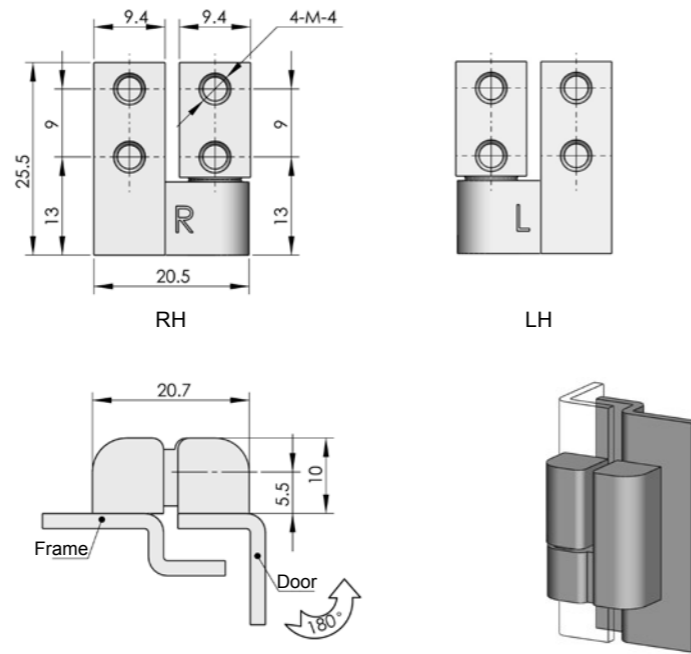


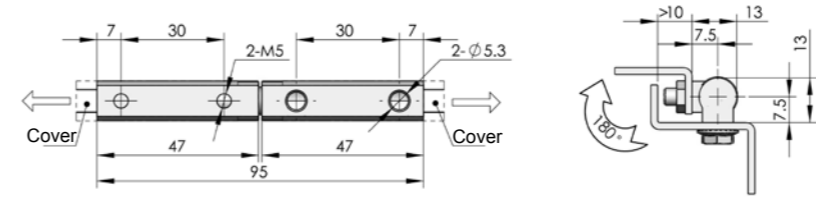
CL203-4



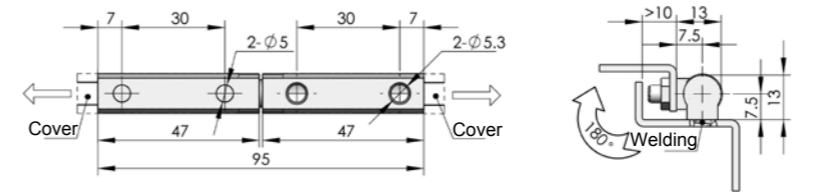
Main material and finish: Black powder coated ZDC hinge
Application: Opening angle 180°



Specification	ERP	
	LH	RH
Black painted	CL203Z2A001	CL203Z2A002
Nanometer painted	CL203Z2B006	CL203Z2B007



CL204-2



CL204-3

	CL204-2 Fixed with screw	CL204-2 Welding
ERP	CL204S00001	CL204S9C001

**CL204-2
CL204-3**



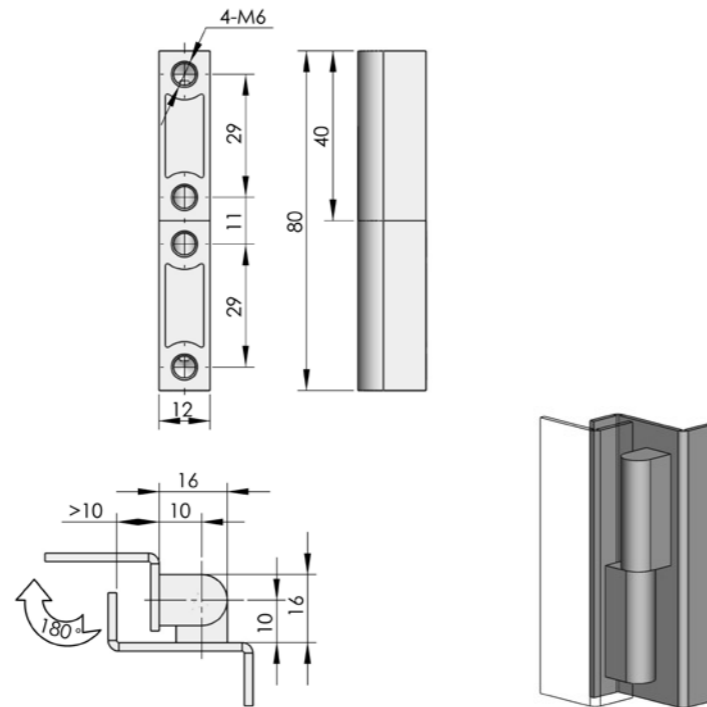
**INOX
AISI
3..**

Main material and finish: Stainless steel
Application: Opening angle 180°

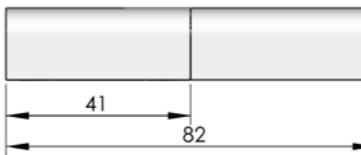
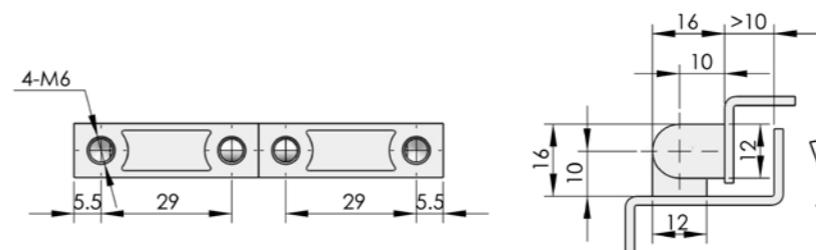
CL204-1



Main material and finish: Zinc hinge
Application: Opening angle 180°



	Black powder coated	Nanometer painted	Bright chrome plated
ERP	CL204Z1A001	CL204Z2B001	CL204Z3A001



ERP	CL204Z3A002
-----	-------------

CL204-3C



Main material and finish: Bright chrome-plated ZDC hinge
Application: Opening angle 180°