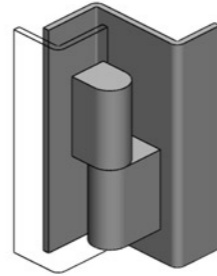
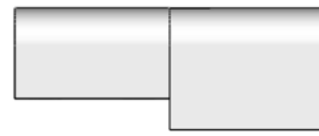
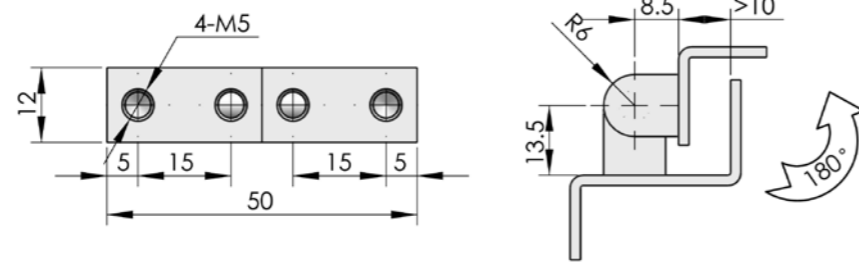


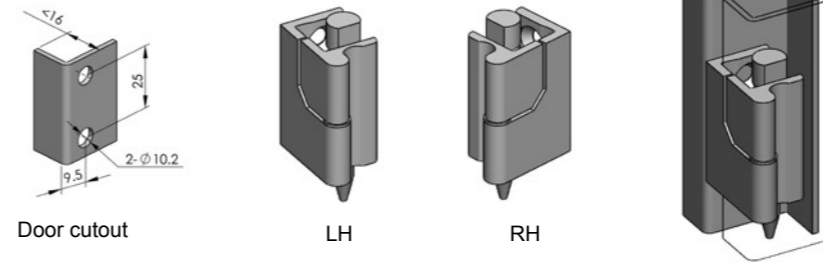
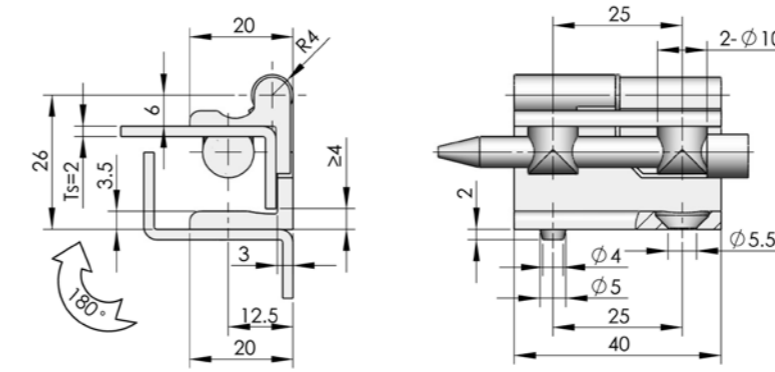
CL204-3F



Main material and finish: Bright chrome-plated ZDC hinge
Application: Opening angle 180°



ERP	CL204Z3A007
-----	-------------



Specification	ERP	
	Left hinge	Right hinge
Bright chrome-plated	CL205Z3A001	CL205Z3A002
Pocked black powder coated	CL205Z1B003	CL205Z1B004

CL205-2

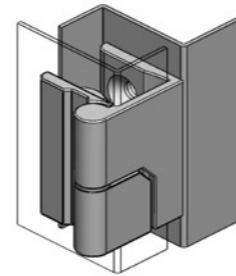
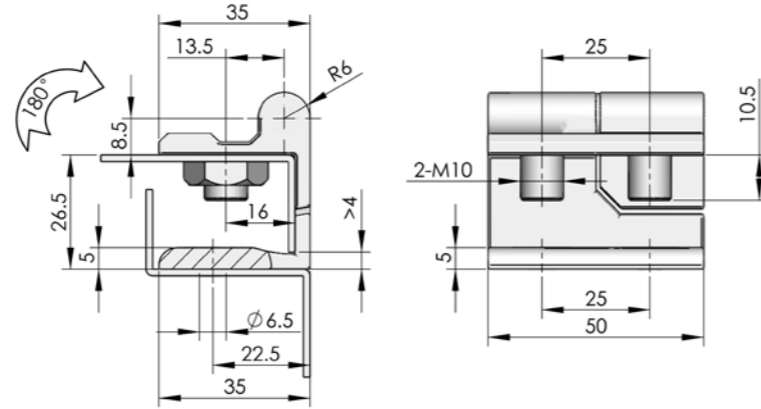


Main material and finish: ZDC hinge leaf and bushing, PA shaft
Application: Opening angle 180°

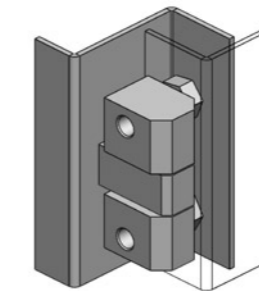
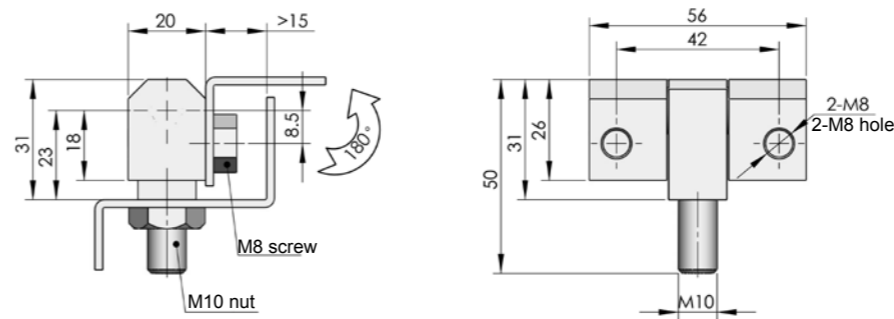
CL205-1



Main material and finish: Zinc hinge
Application: Opening angle 180°



Specification	ERP	
	Left hinge	Right hinge
Black powder coated	CL205Z1A001	CL205Z1A002
Pocked black powder coated	CL205Z1B001	CL205Z1B002



ERP	CL206F3A001
-----	-------------

CL206-1



Main material and finish: Bright chrome plated steel hinge, steel gasket
Application: Opening angle 180°