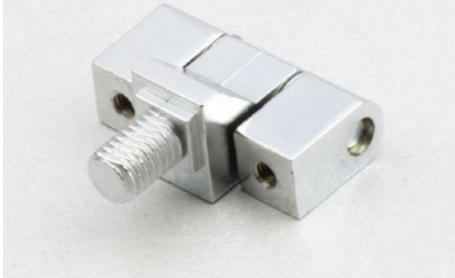
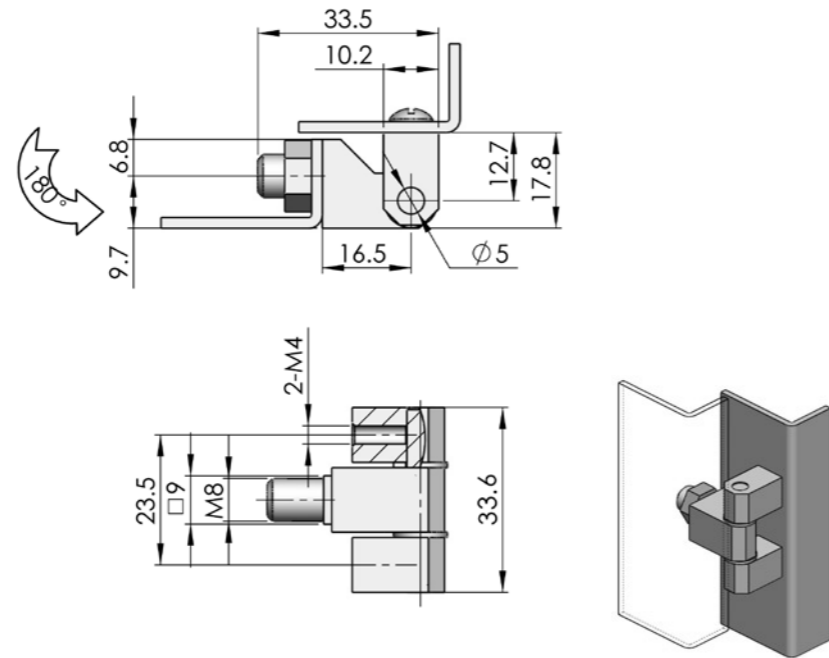


CL206-2



Main material and finish: ZDC hinge, steel pin
Application: Opening angle 180°

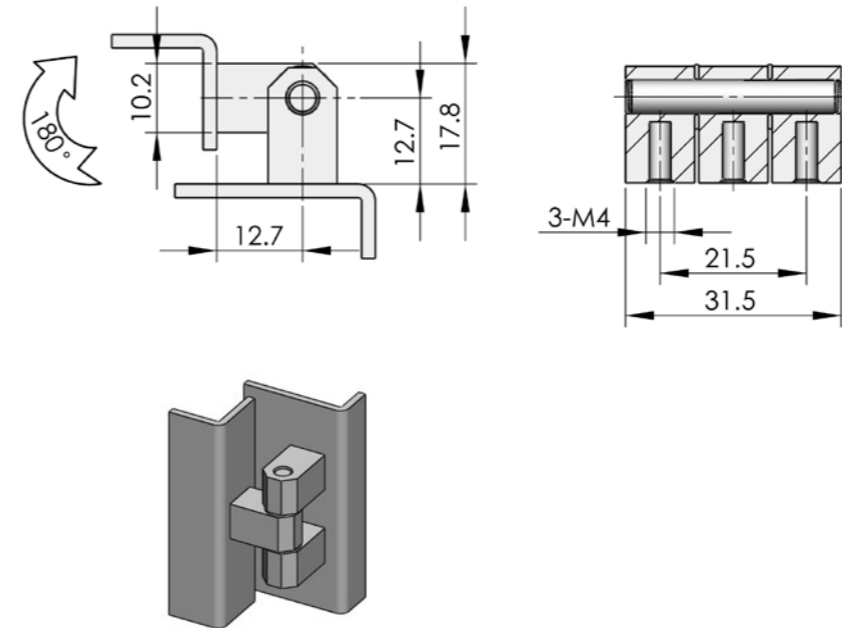


	Black powder coated	Bright chrome-plated
ERP	CL206Z1A001	CL206Z3A007

CL206-4



Main material and finish: ZDC hinge, steel pin
Application: Opening angle 180°

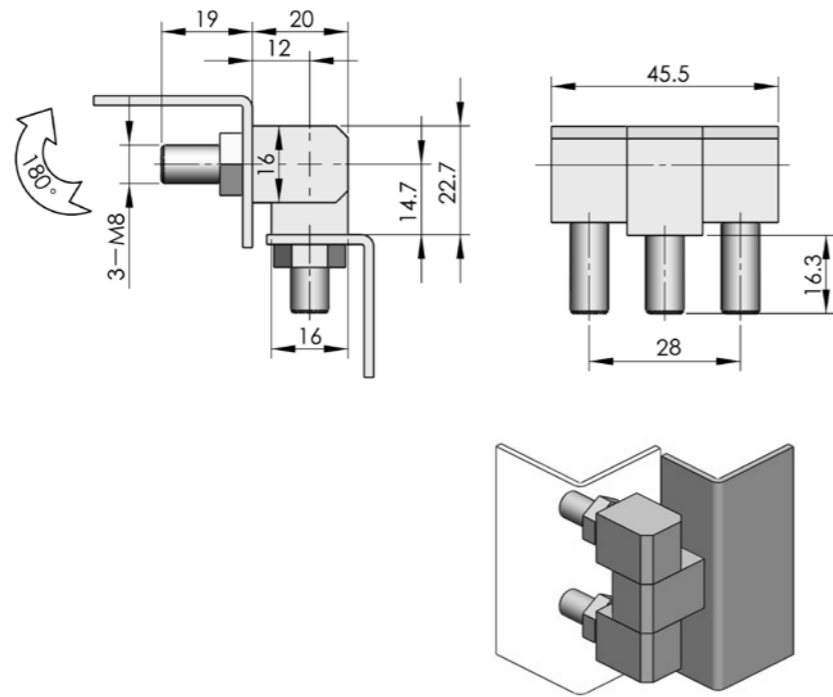


	Black powder coated	Bright chrome-plated
ERP	CL206Z1A003	CL206Z3A012

CL206-3



Main material and finish: Bright chrome plated steel hinge and gasket
Application: Opening angle 180°

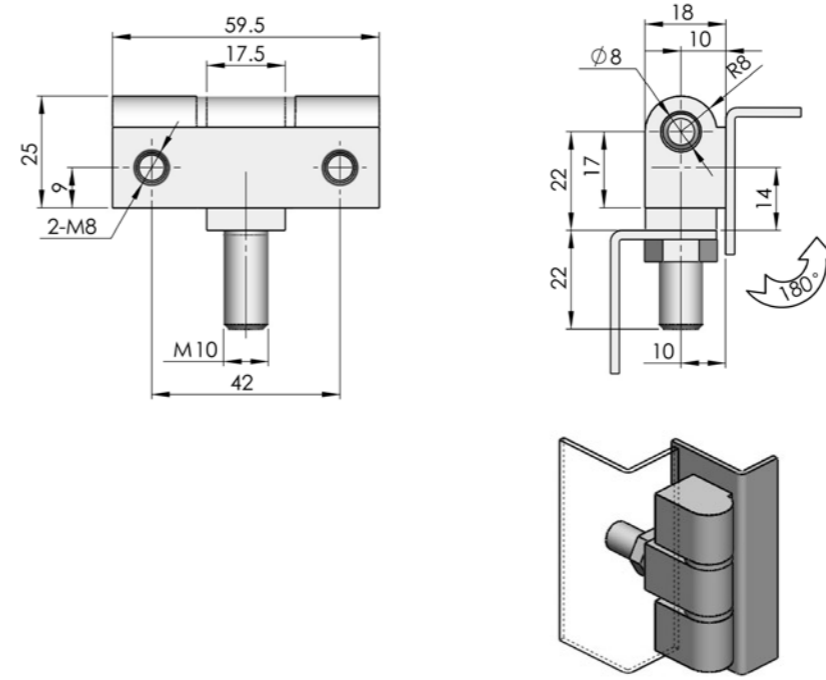


	Pocked black powder coated	Black painted	Bright chrome plated
ERP	CL206F1B001	CL206F2A001	CL206F3A008

CL206-3B



Main material and finish: Zinc hinge
Application: Opening angle 180°



	Black painted	Bright chrome-plated
ERP	CL206Z2A002	CL206Z3A010