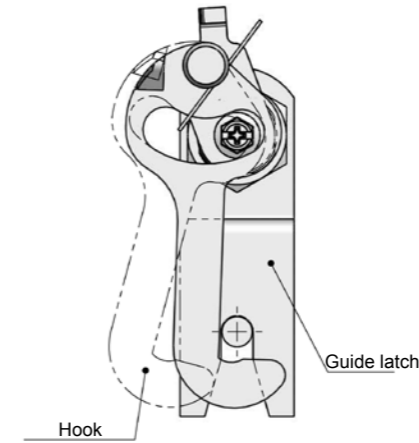
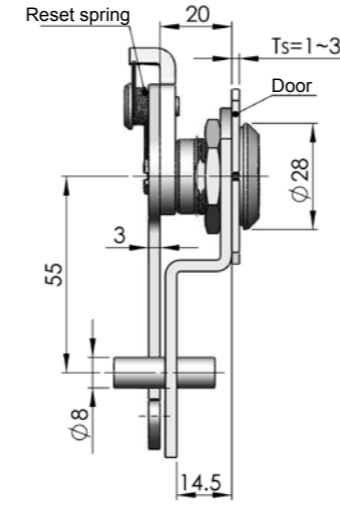
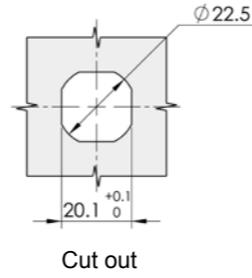
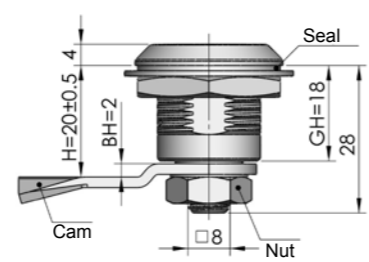


MS805



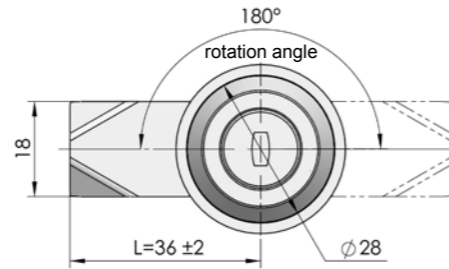
RL

Main material and finish : Black powder coated ZDC housing and insert, white zinc-plated steel cam

Application : 180 degree rotation opening or closing

Remarks : Default key K040

Default cam : S1B36Y02001 (Ts=2)



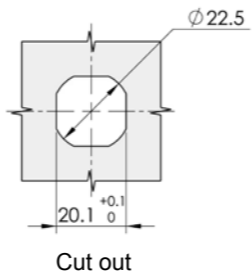
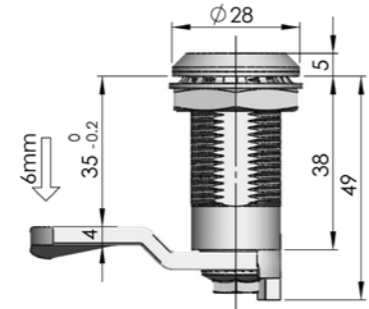
HP001 Handle pull (Optional)



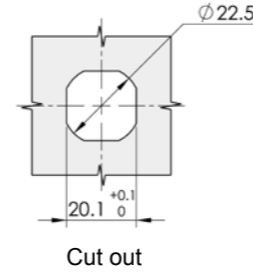
WP002 Water-proof cap (Optional)

ERP MS805Z1A040001
Remarks : ERP excludes cam

MS816-4B



Remarks : Assembling prepared by user



HP001 Handle pull (Optional)



WP002 Water-proof cap (Optional)

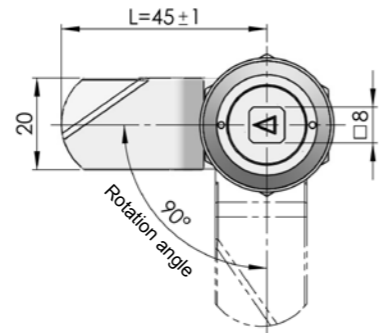


Main material and finish : Stainless steel housing, insert and cam, white zinc-plated steel shaft

Application : Quarter-turn opening or closing, with function of locking

Remarks : Optional key K15 series

Default cam : S1M44N06001



HP001 Handle pull (Optional)



WP002 Water-proof cap (Optional)

ERP MS816S00T07009
Remarks : ERP excludes cam (cut out 10x8)

MS837



RL IP54

Main material and finish : Bright chrome-plated ZDC housing and insert, white zinc-plated steel hook and guide latch

Application : by rotating to open or close, hook returns automatically

Remarks : Optional key K15 series

ERP	Specification	
	Insert range	Optional key
MS837Z3AT02001	Double bit 4mm	K15-01A/K15-01F/K15-01E
MS837Z3AT01001	Double bit 3mm	K15-01A/K15-01F/K15-01E
MS837Z3AT03001	Hooked 4mm	K15-01A
MS837Z3AT04001	Triangular 8mm	K15-03A/K15-03F
MS837Z3AT07001	Square 8mm	K15-04B/K15-04F
MS837Z3AT08001	square 8mm with solt	K15-04B/K15-04F
MS837Z3AT05001	Square 6mm	K15-05B/K15-05F/K15-05A
MS837Z3AT06001	Square 7mm	K15-06A/K15-06F
MS837Z3AT09001	10mm Hexagon female	K15-07A/K15-07F
MS837Z3AT10001	Slot	
MS837Z3AT11001	11mm Hexagon male	K15-09A/K15-09F
MS837Z3AT12001	Thorn	K15-10A
MS837Z3AT13001	Flat Cylinder	K15-11A
MS837Z3AT14001	Triangular 7mm	K15-03A/K15-03F