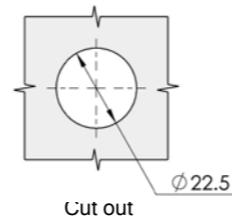
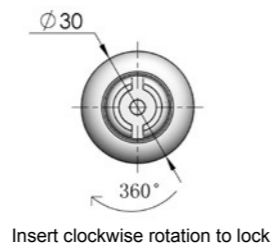
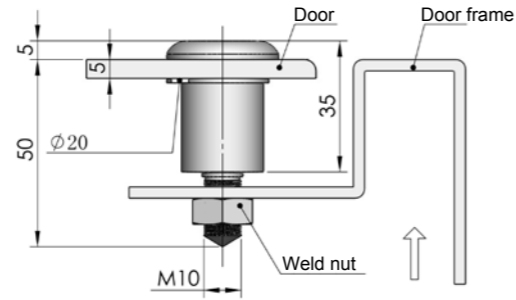


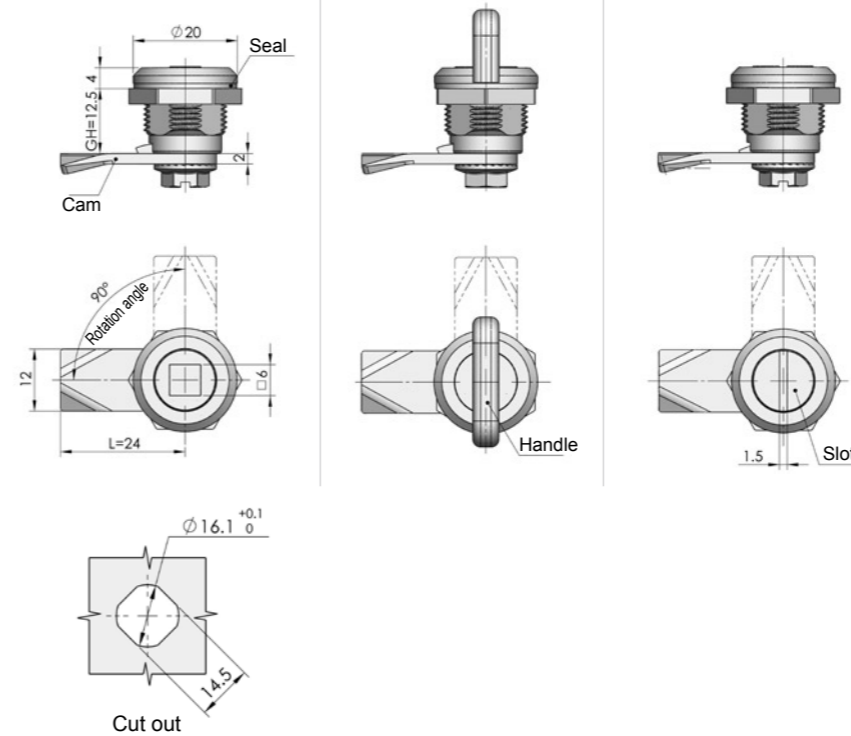
MS704-2



Main material and finish : Bright chrome-plated steel housing and insert
Application : 360 degree rotation opening or closing, with function of locking
Remarks : Optional key K15-01C



ERP	MS704Z3AT02011
-----	----------------



	Square 6mm	Slot	Handle
ERP	MS845Z1AT05001	MS845Z1AT10001	MS845Z1A000004

Remarks : ERP excludes cam (cutout square 6X6)

MS845-1



RL IP54

Main material and finish : Black powder coated ZDC housing and insert, white zinc-plated steel cam
Application : Quarter-turn opening or closing

Default cam : S1V24Y00002

MS844



Main material and finish : Bright chrome-plated ZDC housing and handle, white zinc-plated steel cam
Application : Quarter-turn opening or closing

Default cam : S1W16Y00001

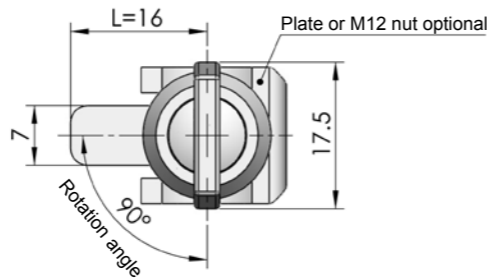
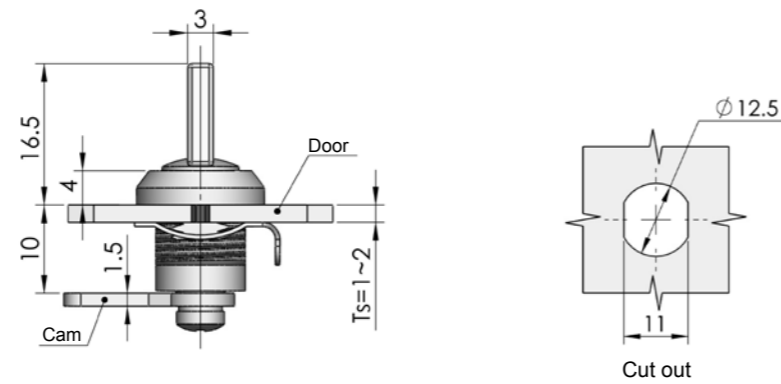
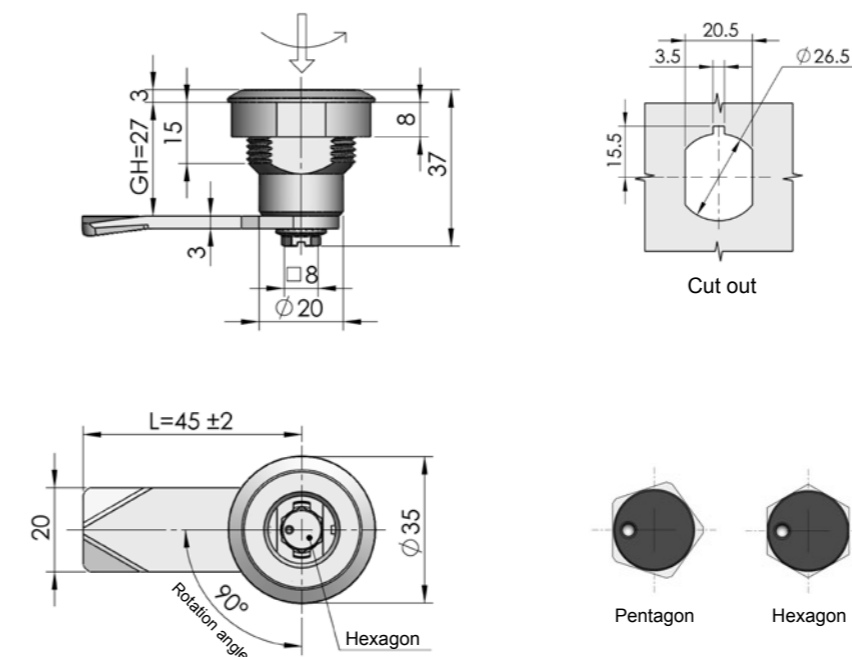


	Plate	Nut
ERP	MS844Z3A000001	MS844Z3A000002

Remarks : ERP excludes cam (Cutout \varnothing 4.6x3.6)



	Pentagon	Hexagon
ERP	MS750Z3AT19001	MS750Z3AT11001

Remarks : ERP excludes cam , cam optional refers to S1B cam list on P007

MS750



Main material and finish : Bright chrome-plated ZDC housing and insert, white zinc-plated steel cam
Application : Quarter-turn opening or closing

Remarks : Optional key K15-19 (Socket pentagon) or K15-25 (Socket hexagon)