

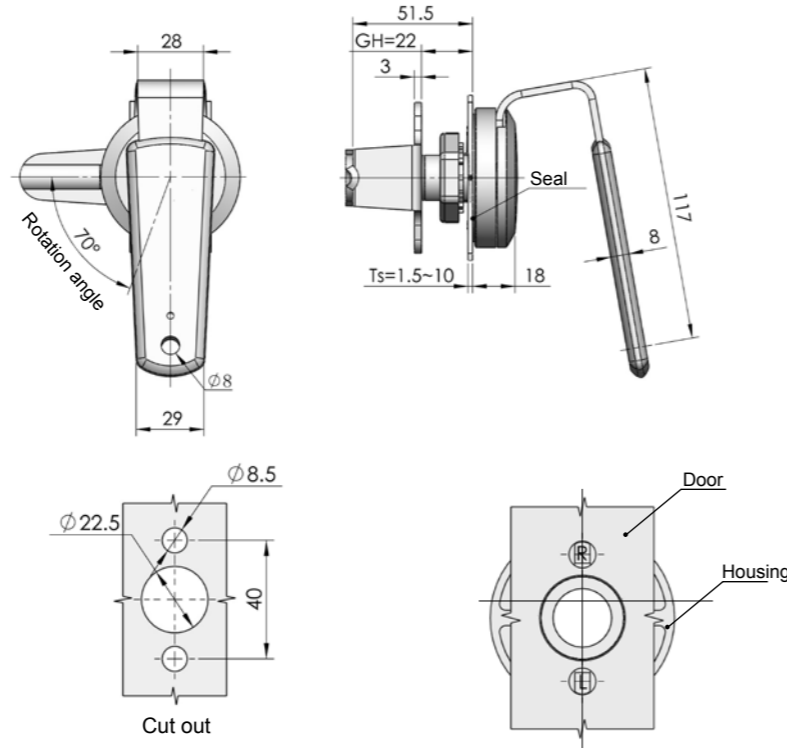
MS812-1



RL IP54

Main material and finish : Bright chrome-plated ZDC housing and insert, white zinc-plated steel cam

Application : 70 degree rotation opening or closing



ERP MS812Z3A000001

Remarks : ERP excludes cam (Cutout square 10mm), cam optional refers to S3C cam list on P012

Remarks : Housing rotate 180° for installing, the picture shows the product and panel after installing

MS812-2

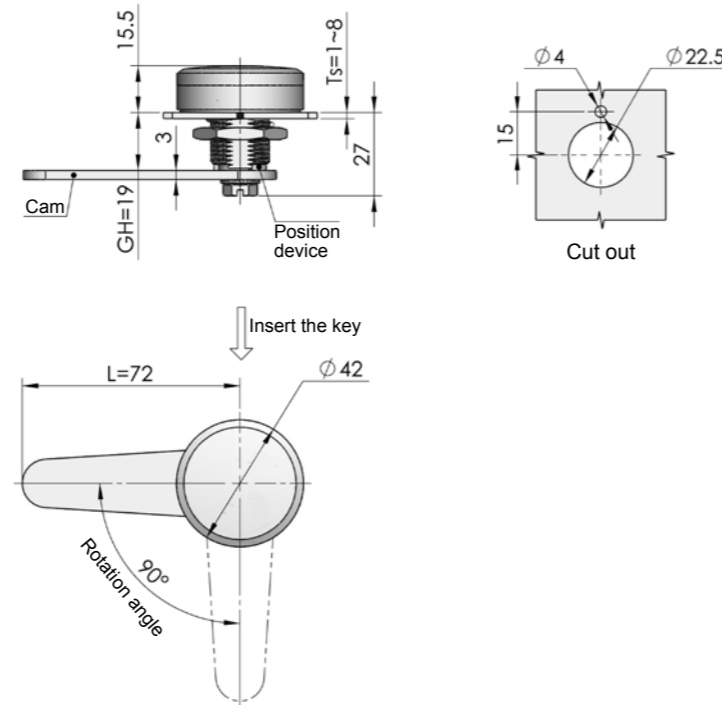


RL IP54

Main material and finish : Bright chrome-plated ZDC housing and insert, white zinc-plated steel cam

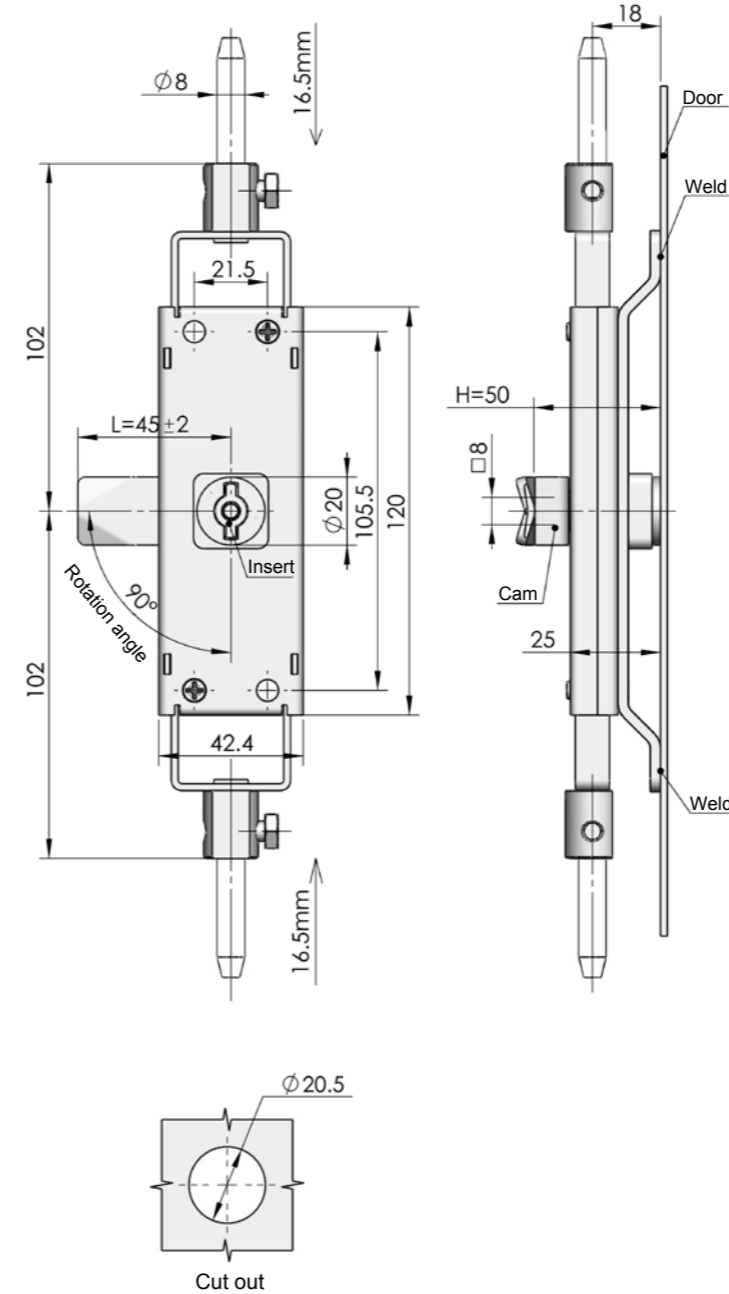
Application : Quarter-turn opening or closing

Default cam : S1B72Y00001



ERP MS812Z3A000002

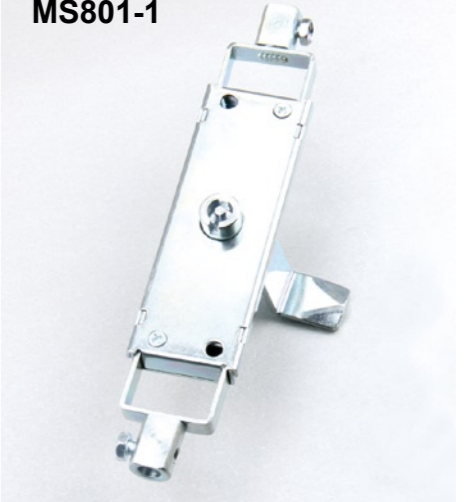
Remarks : ERP excludes cam (Cutout square 10mm)



ERP MS801F3DT02001

Remarks : ERP excludes cam, cam optional refers to S1B cam list on P007

MS801-1



Main material and finish : White zinc-plated steel lock body, ABS plastic cover

Application : Insert quarter-turn rotation combines with cam and rod latch

Remarks : Optional key K15-01C