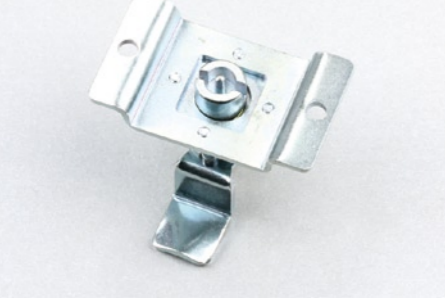
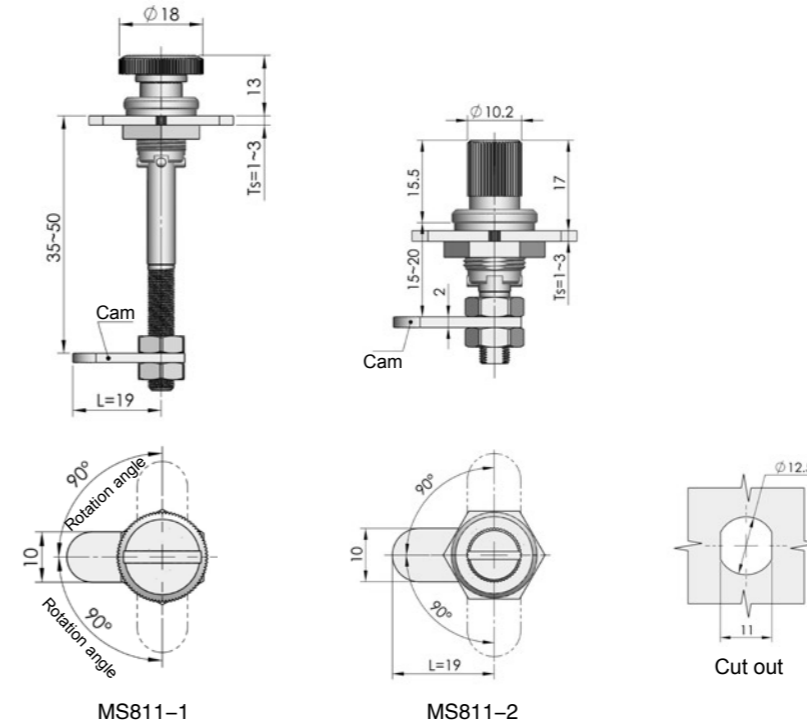
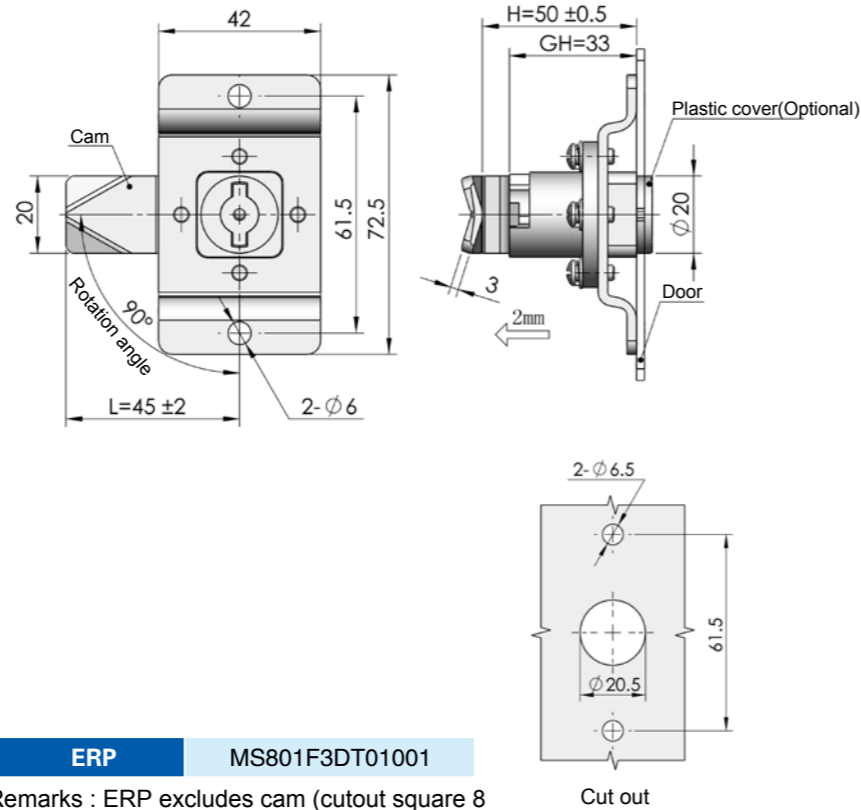


**MS801-2**



**Main material and finish :** White zinc-plated steel lock body, ABS plastic cover  
**Application :** Quarter-turn opening or closing  
**Remarks :** Optional key K15-01C



**RL**

**Main material and finish :** Bright chrome-plated steel housing and handle, white zinc-plated steel cam  
**Application :** Quarter-turn opening or closing, with function of locking automatically

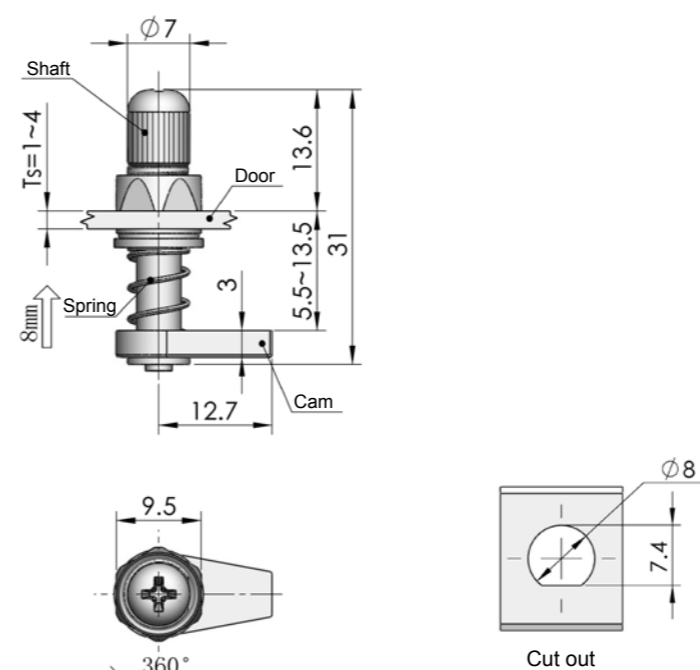
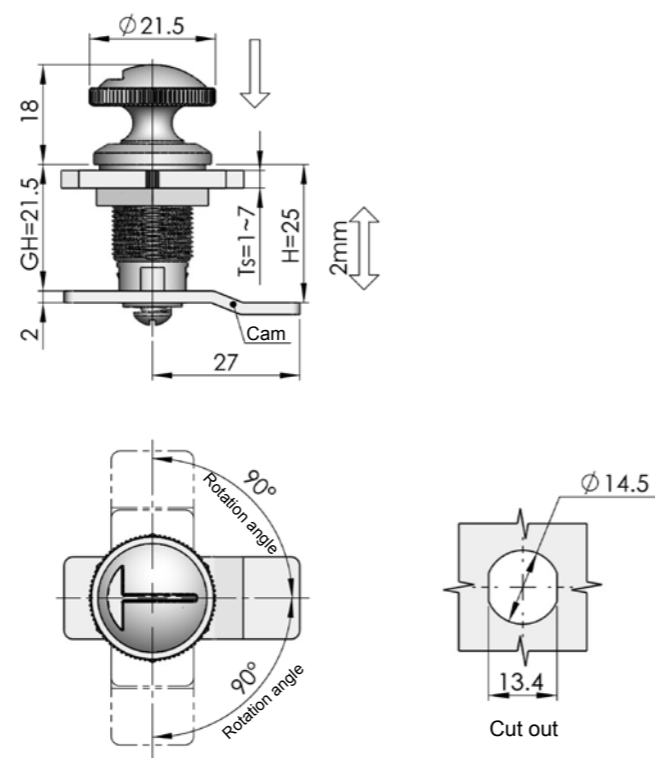
**Default cam :** S1W19Y00002

**MS803**



**Main material and finish :** Bright chrome-plated ZDC housing and handle, white zinc-plated steel cam  
**Application :** Quarter-turn opening or closing, with function of locking automatically

**Default cam :** S1K27N05001



**Main material and finish :** Trivalent zinc-plated steel housing, handle and cam  
**Application :** Handle 360 degree, rotation with function of locking

**Default cam :** S1S13Y00002