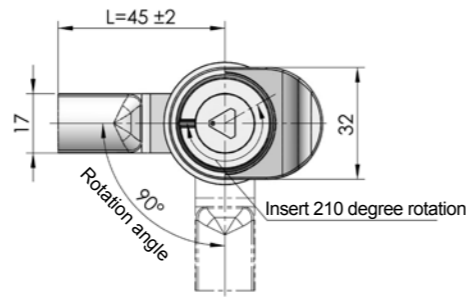
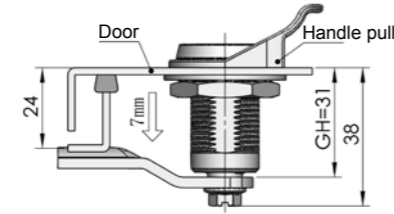


MS816-1

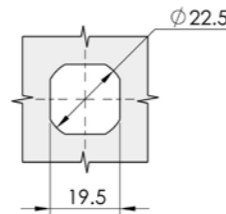


**Main material and finish :** Blue-gray powder coated ZDC housing and insert, white zinc-plated steel cam, PA handle pull  
**Application:** Cam quarter-turn to open or close, with function of locking  
**Remarks:** Optional key K15 series

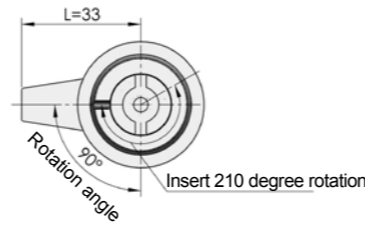
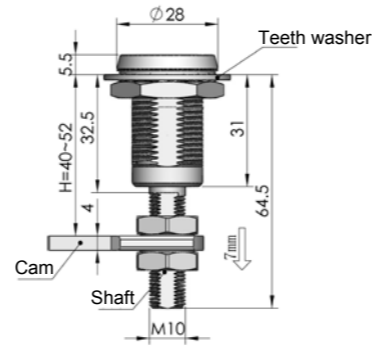
**Default cam :** S1B45N07005(Unadjustable)  
 S1M33Y00002(Adjustable Ts=4)



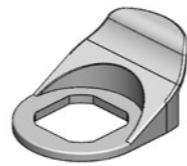
Unadjustable type



Cut out



Adjustable type



HP001 handle pull ( Optional )



WP002 water-proof cap ( Optional )

Remarks : Inserts sketch refers to inserts list 2 on P060

Specification	ERP		
	Unadjustable type	Adjustable type	Full threaded housing and adjustable
8mm Triangle	MS816Z1DT04001	MS816Z1DT04003	MS816Z1DT04006
S Hook	MS816Z1DT03001	MS816Z1DT03003	MS816Z1DT03006
8mm Socket hexagon	MS816Z1DT24001	MS816Z1DT24003	MS816Z1DT24006
10mm Hexagon	MS816Z1DT25001	MS816Z1DT25003	MS816Z1DT25006
8mm Square	MS816Z1DT07001	MS816Z1DT07003	MS816Z1DT07006
7mm Square	MS816Z1DT06001	MS816Z1DT06003	MS816Z1DT06006
9mm Square	MS816Z1DT26001	MS816Z1DT26003	MS816Z1DT26006
Slot	MS816Z1DT10001	MS816Z1DT10003	MS816Z1DT10006
7mm Triangle	MS816Z1DT14001	MS816Z1DT14003	MS816Z1DT14006
Abnormal	MS816Z1DT21001	MS816Z1DT21003	MS816Z1DT21006

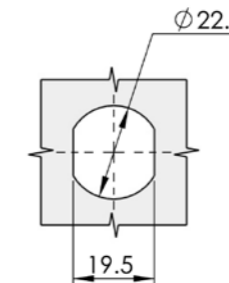
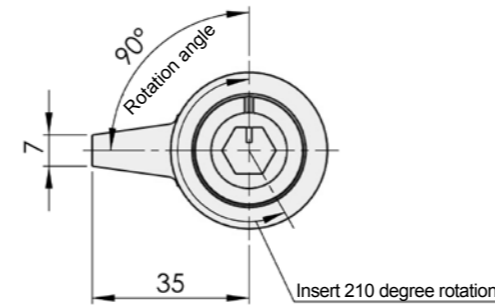
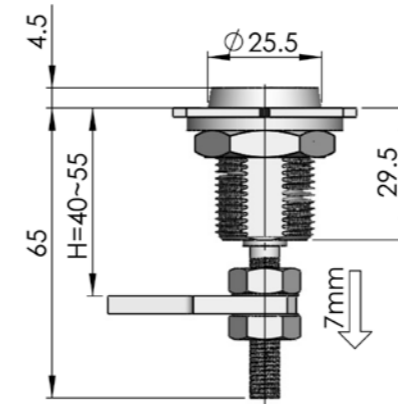
Remarks : ERP excludes cam ( cutout square 8mm)

MS816-2



**Main material and finish :** Blue-gray powder coated ZDC housing and insert, white zinc-plated steel cam, PA handle pull  
**Application:** Cam quarter-turn to open or close, with function of locking  
**Remarks:** Optional key K15 series

**Default cam :** S1K35Y00002 (Ts=4)



Cut out



WP001 water-proof cap ( Optional )

Remarks : Inserts sketch refers to inserts list 2 on P060

Specification	ERP	Optional key
10mm Hexagon	MS816Z1DT25004	K15-09A, K15-09F
8mm Triangle	MS816Z1DT04004	K15-03A, K15-03F
8mm Square	MS816Z1DT07004	K15-04B, K15-04F
7mm Square	MS816Z1DT06004	K15-06A, K15-06F
9mm Square	MS816Z1DT26004	
7mm Triangle	MS816Z1DT14004	K15-03A, K15-03F

Remarks : ERP excludes cam ( cutout Ø8x6.5)