

Accessories
Handle lock
Cylinder lock
Electronic lock
Swing handle
Rod control lock
Panel lock
Toggle and hook
Handles
Door stop
Hinge
Seal gasket

MS823-1



MS823-1A

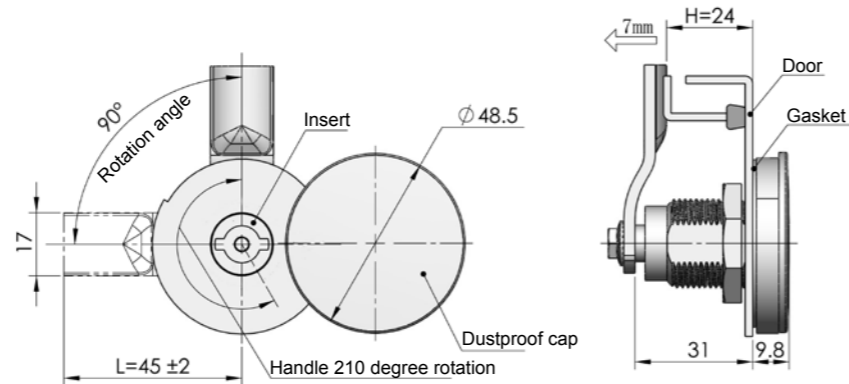


Main material and finish: Bright chrome-plated ZDC housing and insert, white zinc plated steel cam

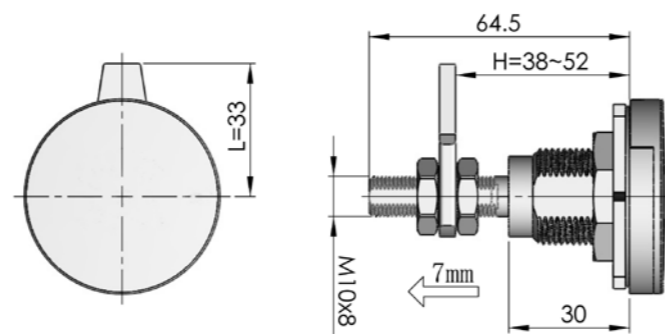
Application: Cam quarter-turn to open or lock, with function of locking

Remarks: Optional key K15

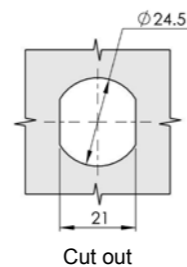
Default cam: S1B45N07005(Unadjustable)
S1M33Y00002(Adjustable Ts=4)



Unadjustable

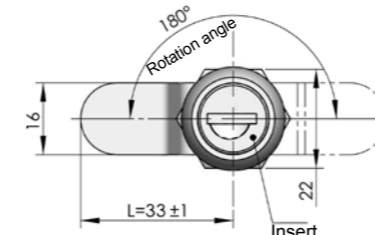
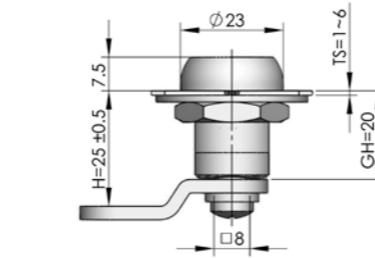


Adjustable



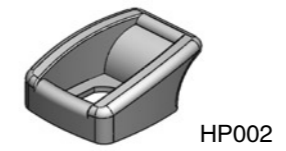
Specification	ERP		Optional key
	Non-adjustable	Adjustable	
8mm Triangle	MS823Z3AT04001	MS823Z3AT04002	K15-03A、K15-03F
S Hook	MS823Z3AT03001	MS823Z3AT03002	K15-01A
8mm Socket hexagon	MS823Z3AT24001	MS823Z3AT24002	
10mm Hexagon	MS823Z3AT25001	MS823Z3AT25002	K15-09A、K15-09F
8mm Square	MS823Z3AT07001	MS823Z3AT07002	K15-04B、K15-04F
7mm Square	MS823Z3AT06001	MS823Z3AT06002	K15-06A、K15-06F
9mm Square	MS823Z3AT26001	MS823Z3AT26002	
Slot	MS823Z3AT10001	MS823Z3AT10002	
7mm Triangle	MS823Z3AT14001	MS823Z3AT14002	K15-03A、K15-03F
Abnormal	MS823Z3AT21001	MS823Z3AT21002	K310

Remarks : ERP excludes cam (cutout Ø8x6.5)



ERP MS706Z3A130003

Remarks : ERP excludes Cam



MS706

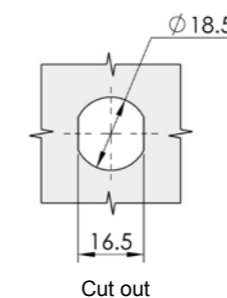
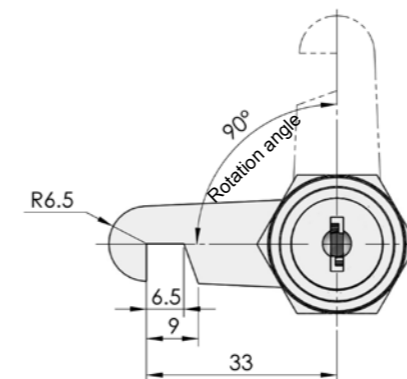
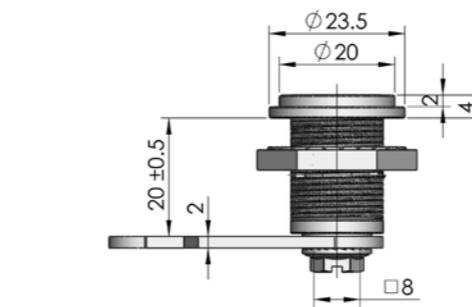


Main material and finish: Bright chrome plated ZDC housing and insert, white zinc plated steel cam

Application: Cam 180 degree rotation to open or lock

Remarks: Default key K130

Default cam: S1B33Y06002



ERP MS809Z3A230001

Remarks : ERP excludes Cam

MS809



Main material and finish: Bright chrome-plated ZDC housing and insert, white zinc-plated steel cam

Application: Quarter-turn opening or closing

Remarks: Default key K230

Default cam: S1B40Y00004