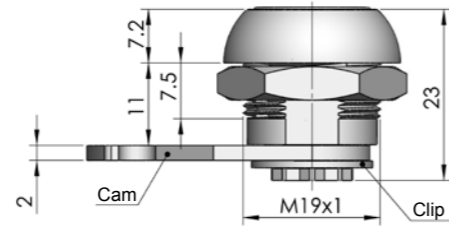


MS743



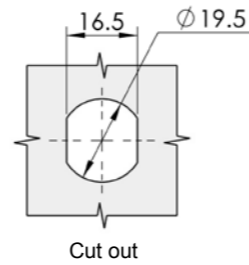
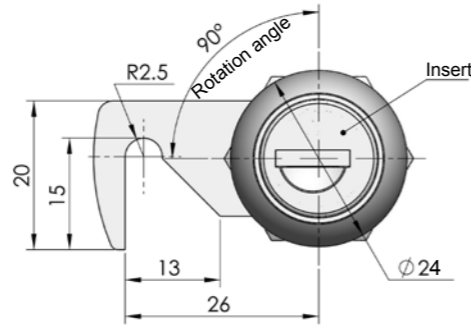
IP40

Main material and finish: Bright chrome-plated ZDC housing, white zinc-plated steel cam

Application: Quarter-turn opening or closing

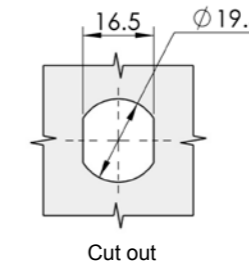
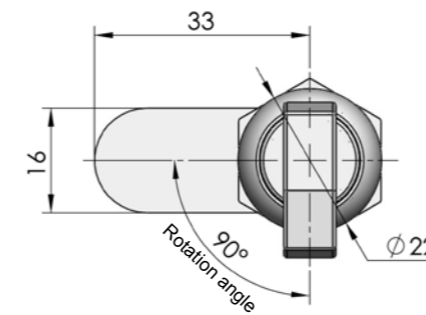
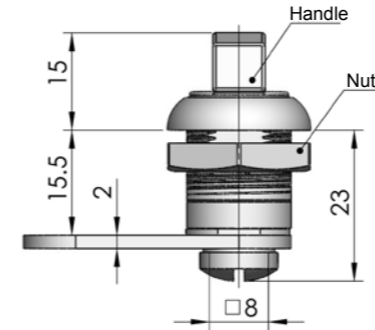
Remarks: Default key K282

Default cam : S1B30Y00006



ERP	MS743Z3A282001
-----	----------------

Remarks : ERP excludes cam (Cutout square 8mm)



	With insert	Knob
ERP	MS745Z3A080001	MS745Z3A000001

Remarks : ERP excludes Cam

MS745-1



MS745-2

RL IP40

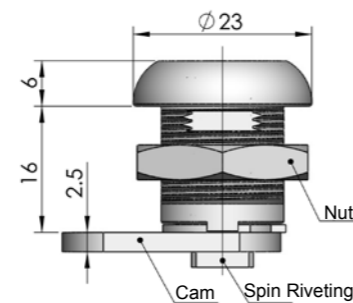
Main material and finish: Bright chrome-plated ZDC housing, white zinc-plated steel cam

Application: Quarter-turn opening or closing

Remarks: Default key K080

Default cam : S1B33Y00005

MS744



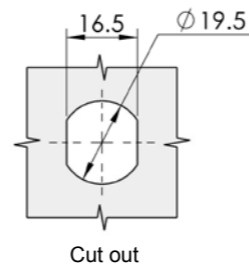
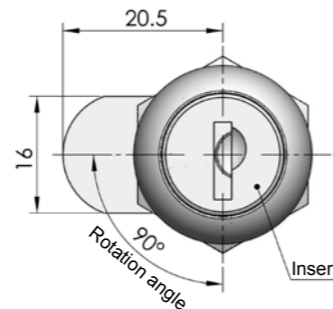
RL IP40

Main material and finish: White zinc-plated ZDC housing and steel cam

Application: Quarter-turn opening or closing

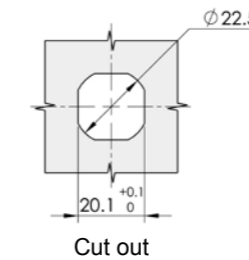
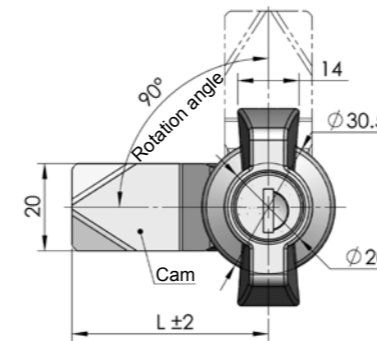
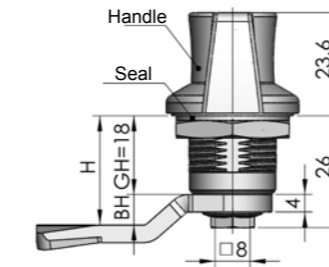
Remarks: Default key K160

Default cam : S1B20Y00001



ERP	MS744Z3D160002
-----	----------------

Remarks : ERP excludes cam (Cutout square 8mm)



	Black powder coated housing	Bright chrome-plated housing
ERP	MS748Z1A160001	MS748Z3A160001

Remarks : ERP excludes cam, cam optional refers to S1B cam list on P007, Ts=4

MS748



RL IP40

Main material and finish: Black powder-coated ZDC housing, handle and insert, white zinc plated steel cam

Application: Quarter-turn opening or closing

Remarks: Default key K160