

Accessories
Handle lock
Cylinder lock
Electronic lock
Swing handle
Rod control lock
Panel lock
Toggle and hook
Handles
Door stop
Hinge
Seal gasket

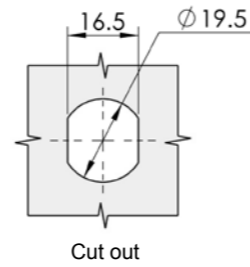
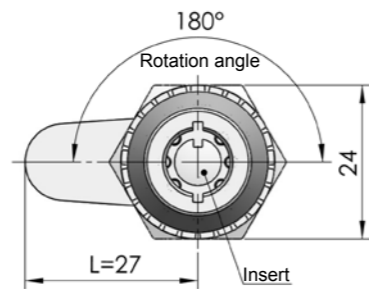
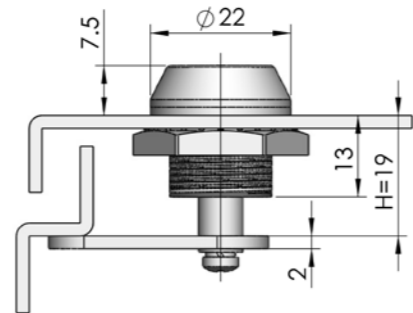
MS824



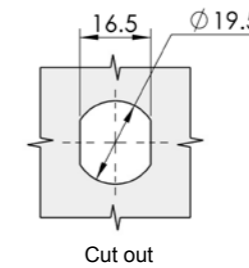
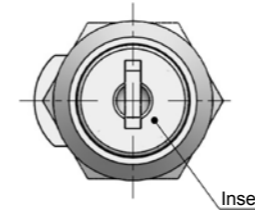
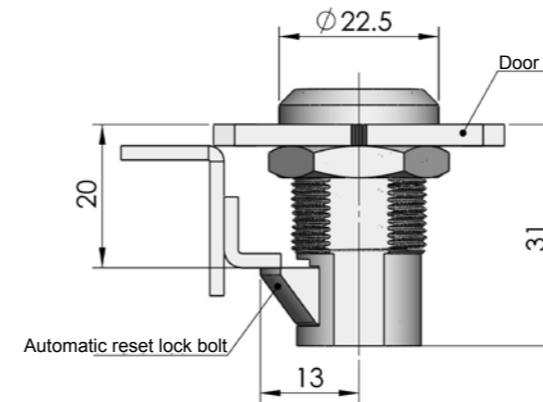
Main material and finish: Bright chrome-plated ZDC housing, insert and white zinc-plated steel cam

Application: 180 degree rotation opening or closing

Default cam : S1V27Y00001



ERP MS824Z3A000001
Remarks : ERP excludes Cam



ERP MS826Z3A160001

MS826



Main material and finish: Bright chrome-plated ZDC housing, insert and lock-tongue, white ZDC zinc-plated lock tongue

Application: Automatic reset locked

Remarks: Default key K160

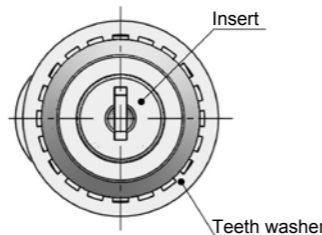
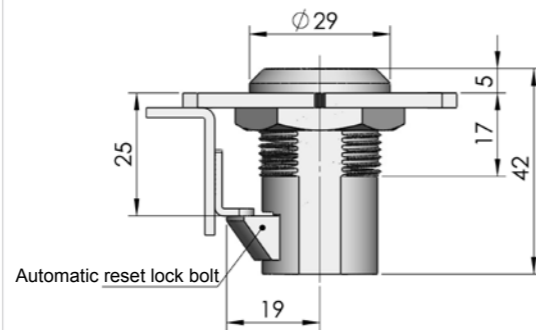
MS825



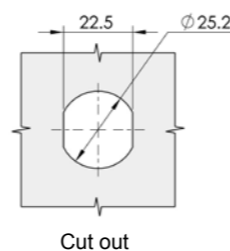
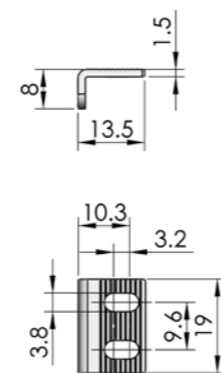
Main material and finish: Bright chrome-plated ZDC housing, insert and lock bolt, white zinc-plated ZDC lock bolt

Application: Automatic reset locked

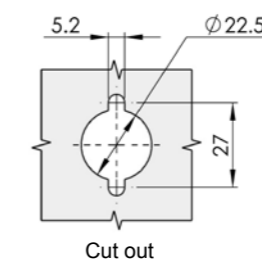
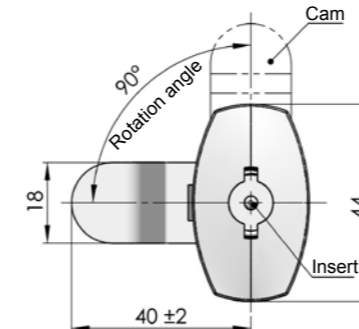
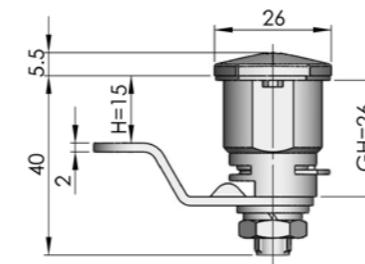
Remarks: Default key K160



Catcher (Optional)



ERP MS825Z3A160001



ERP MS303Z3AT01001

MS303



Main material and finish: Bright chrome-plated ZDC housing and insert, white zinc-plated steel cam

Application: Quarter-turn opening or closing