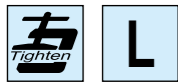
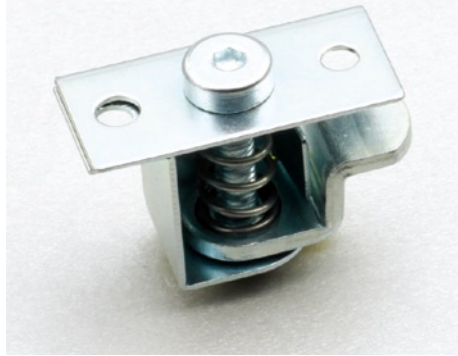


Accessories
Handle lock
Cylinder lock
Electronic lock
Swing handle
Rod control lock
Panel lock
Toggle and hook
Handles
Door stop
Hinge
Seal gasket

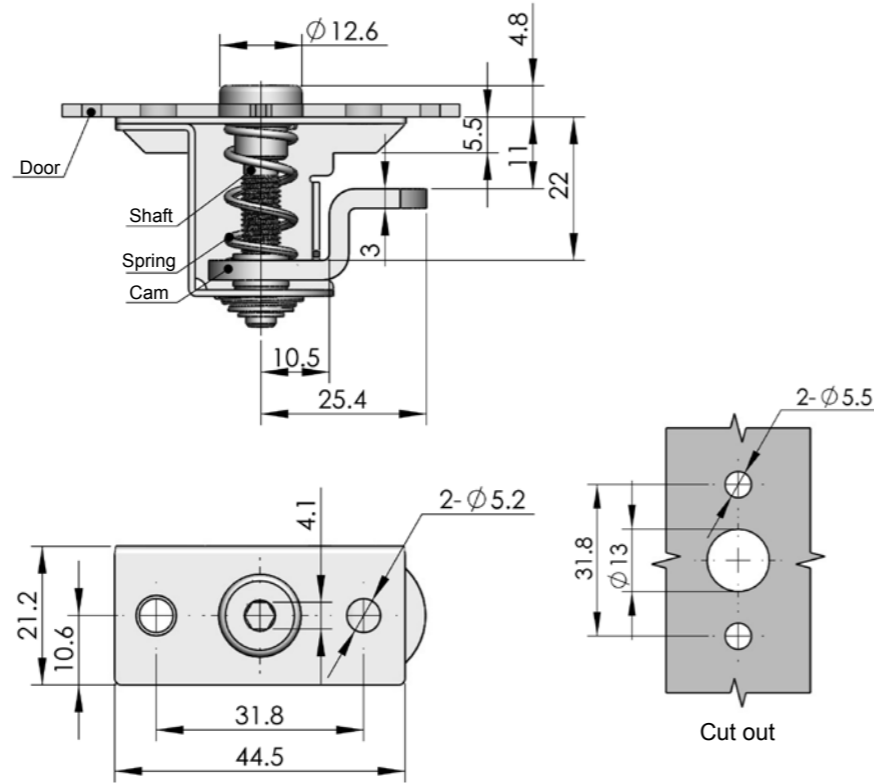
MS735-4



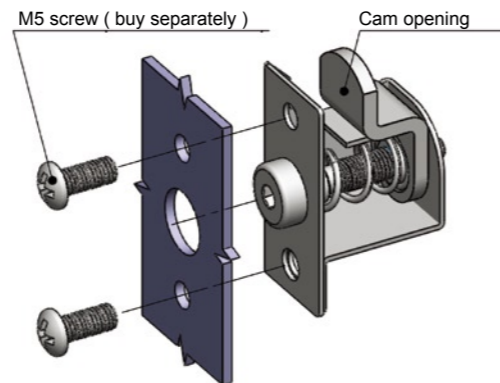
Main material and finish: White zinc-plated steel lock body

Application: Quarter-turn opening or closing, cam adjustable

Default cam : S1S25Y11001

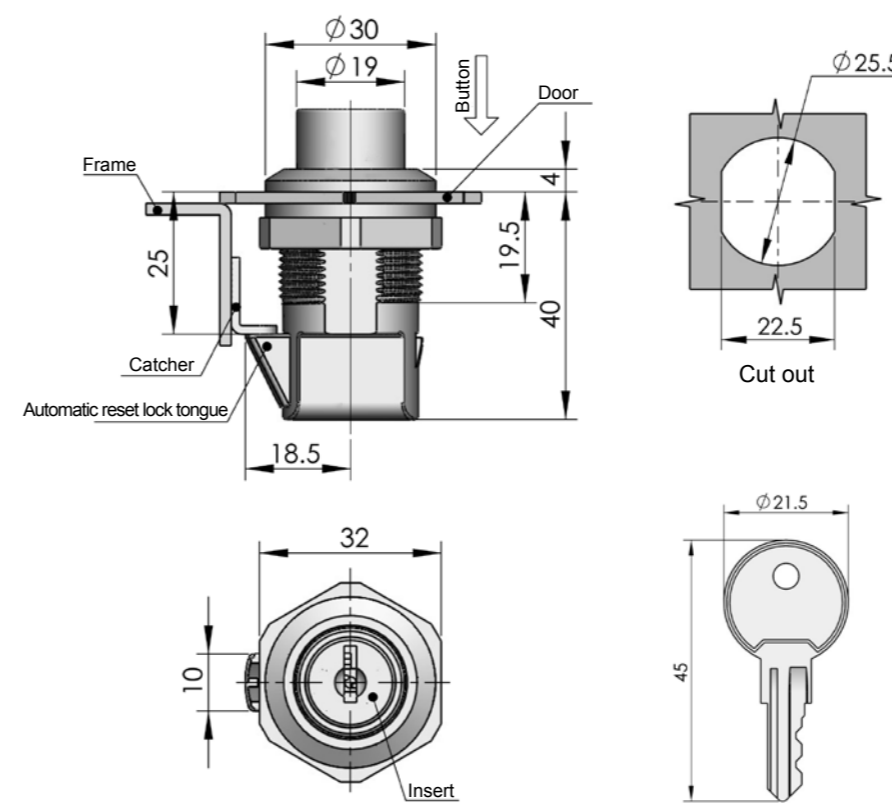


Example of assembling



ERP MS735F3D000001

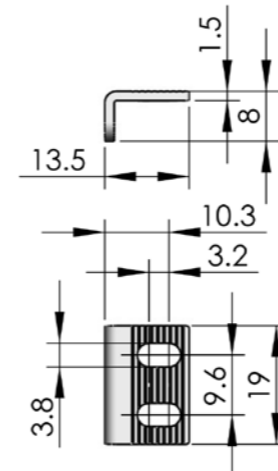
Remarks : ERP excludes Cam



ERP

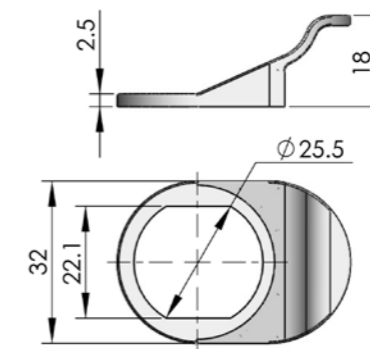
MS753N00160001

Catcher (Optional)



ERP 3658250001

Handle pull (Optional)



ERP 1150050002

MS753



Main material and finish: Black PC housing, insert, shaft pipe and lock tongue
Application: Automatic locked push type
Remarks: Default key K160

Accessories
Handle lock
Cylinder lock
Electronic lock
Swing handle
Rod control lock
Panel lock
Toggle and hook
Handles
Door stop
Hinge
Seal gasket