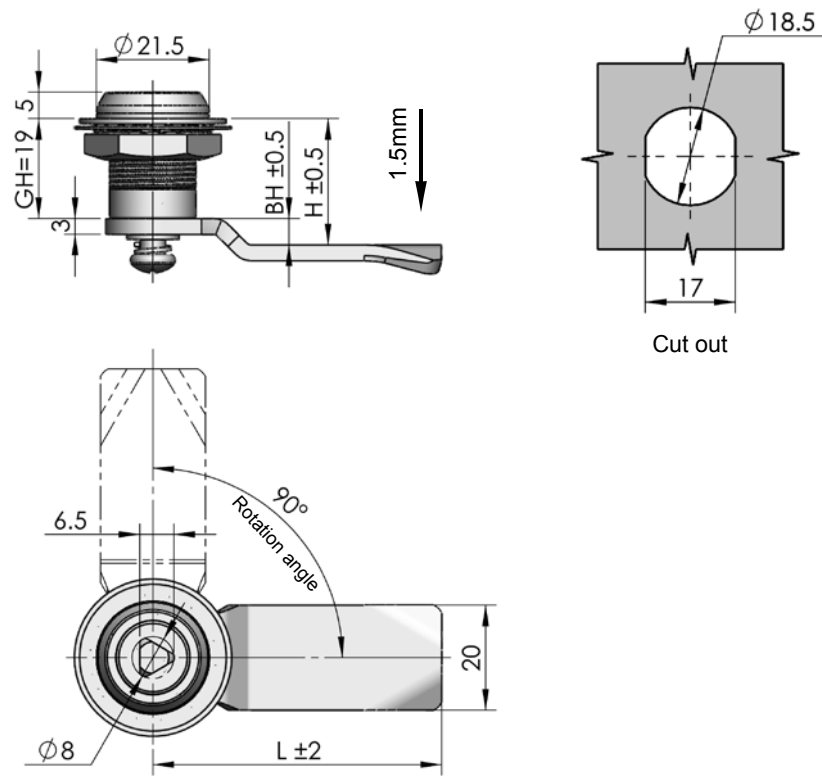


Accessories
Handle lock
Cylinder lock
Electronic lock
Swing handle
Rod control lock
Panel lock
Toggle and hook
Handles
Door stop
Hinge
Seal gasket

MS754



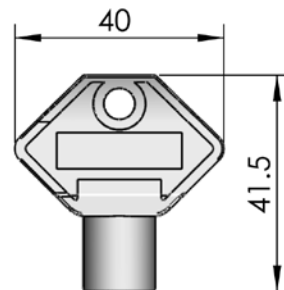
Main material and finish: Bright chrome-plated ZDC housing, white zinc-plated ZDC insert and steel cam
Application: Automatic locked quarter-turn to open or close
Remarks: Optional key K15-12F



ERP MS754Z3AT14001

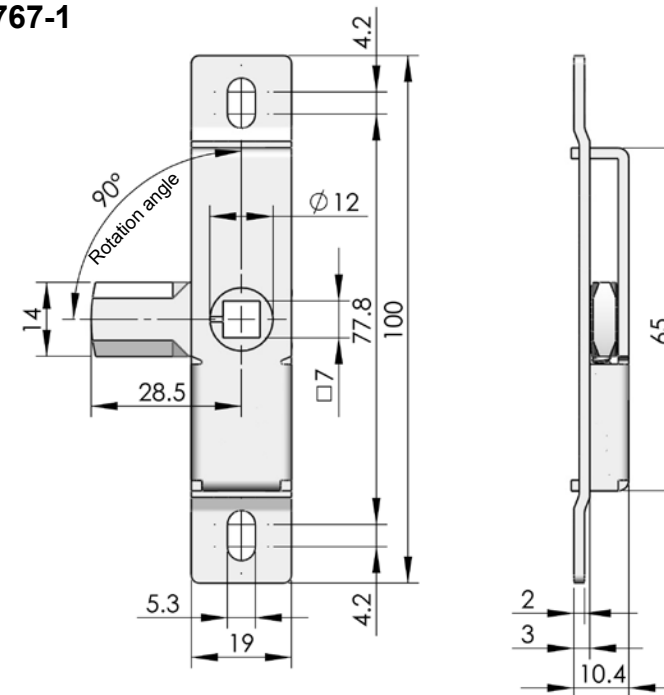
Remarks : ERP excludes cam (cutout square 8mm), cam optional refers to S1B cam list on P007

Optional key



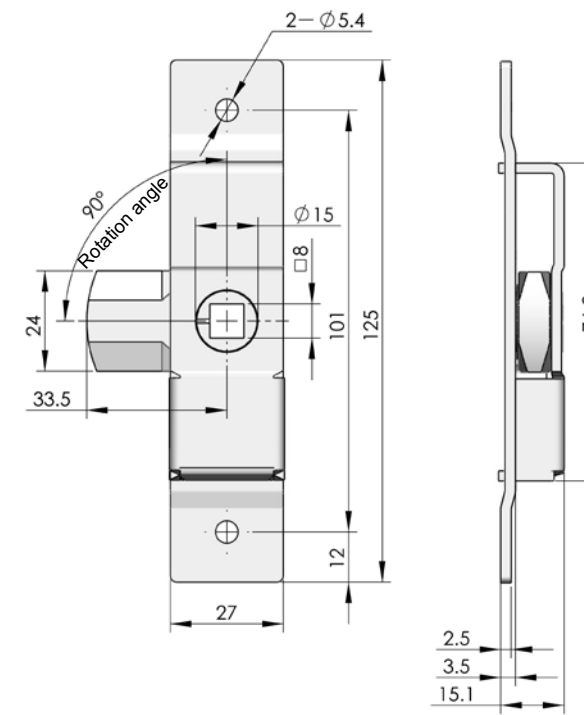
ERP 3290153005

MS767-1



ERP MS767F3D000001

MS767-2



ERP MS767F3D000002

MS767-1



MS767-2



Main material and finish: White zinc-plated steel lock body and stainless steel cam
Application: Quarter-turn opening or closing

Accessories
Handle lock
Cylinder lock
Electronic lock
Swing handle
Rod control lock
Panel lock
Toggle and hook
Handles
Door stop
Hinge
Seal gasket