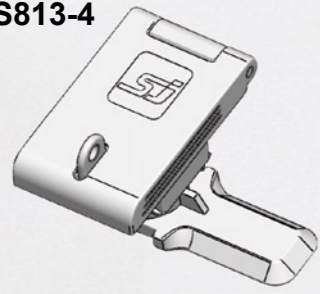
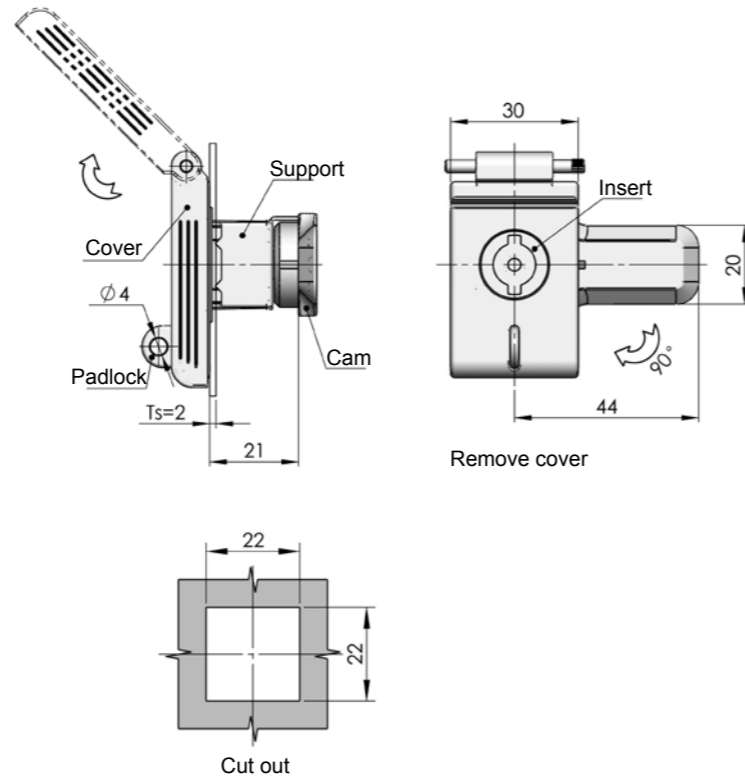


MS813-4

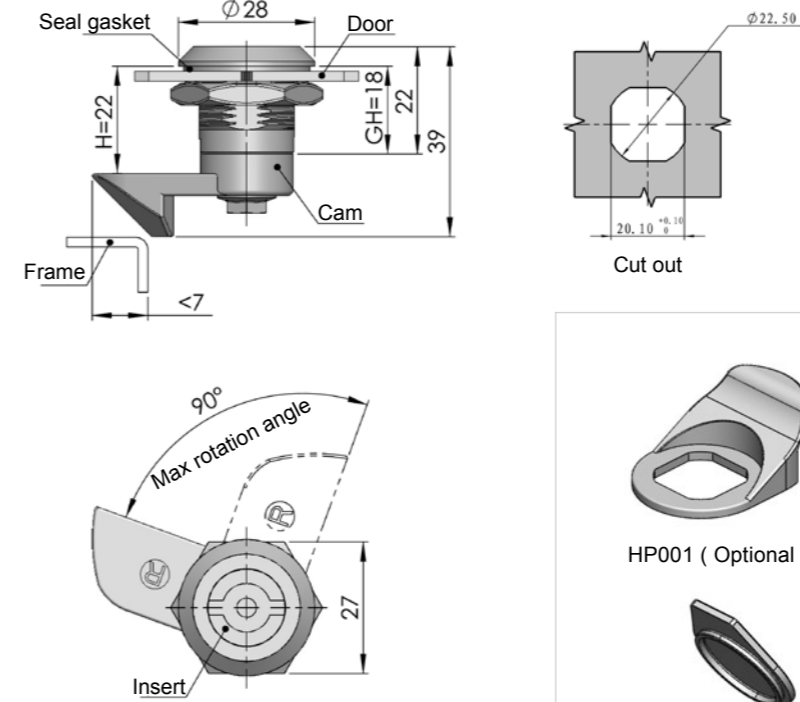


RL IP54

Main material and finish: Yellow gray powder coated ZDC housing, bright chrome-plated insert, white zinc-plated cam
Application: Quarter-turn opening or closing
Remarks: Optional key K15-01C



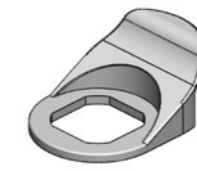
ERP MS813ZXXT01003



Remarks: Left cam or right cam

ERP MS705Z3AT02018

Remarks: The above ERP excludes cam

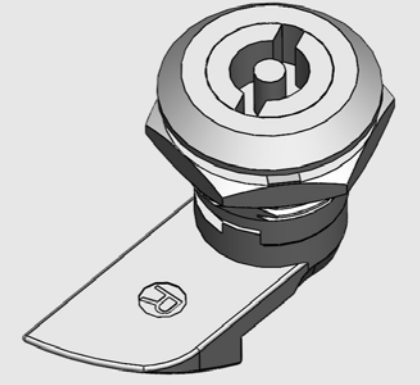


HP001 (Optional)



WP002 (Optional)

MS705-1W-2D



R L IP54

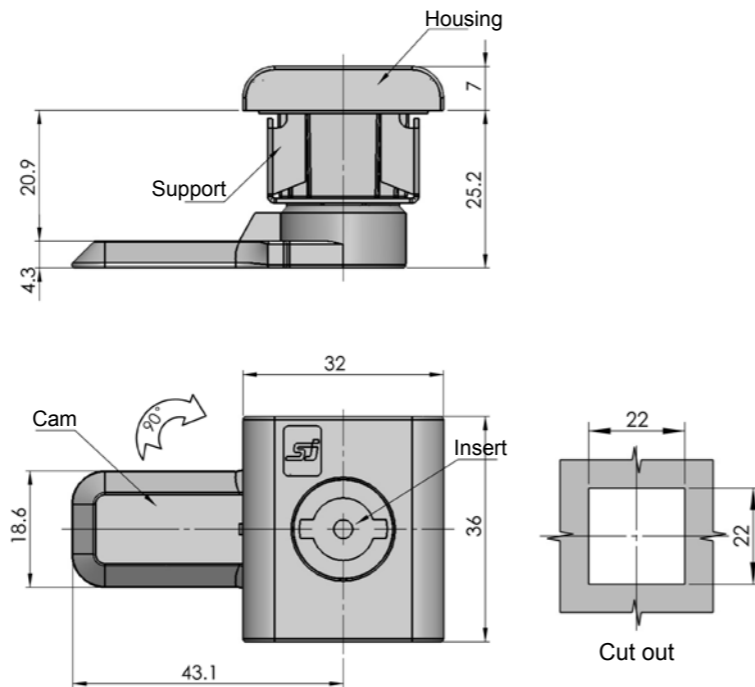
Main material and finish: Bright chrome-plated ZDC housing ,insert and cam
Application: Quarter-turn opening, with function of locking
Remarks: Optional key K15 series

MS813-5B

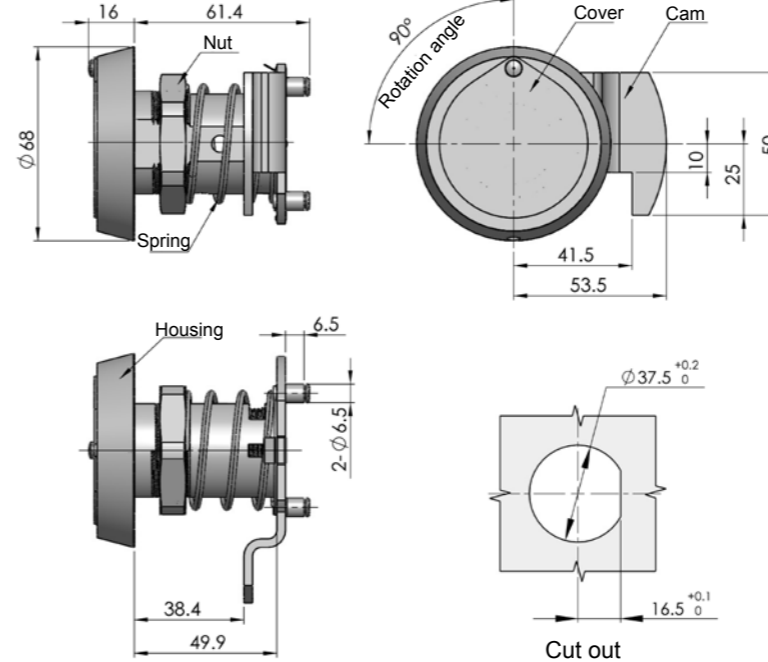


RL IP54

Main material and finish: Mirror polishing stainless steel housing, insert, cam, and screw, steel support
Remarks: Optional key K15 series



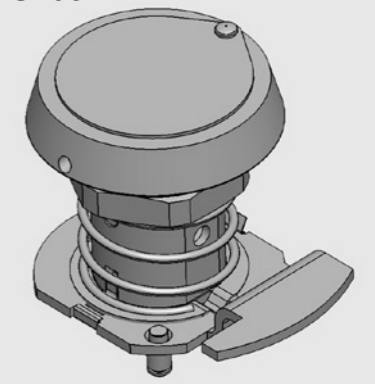
ERP MS813S4AT01001



ERP MS405S00000001

Remarks : Cam is optional

MS405



Main material and finish: Stainless steel
Application: Max rotation angle 90 degree
Remarks: Without key and opening tool