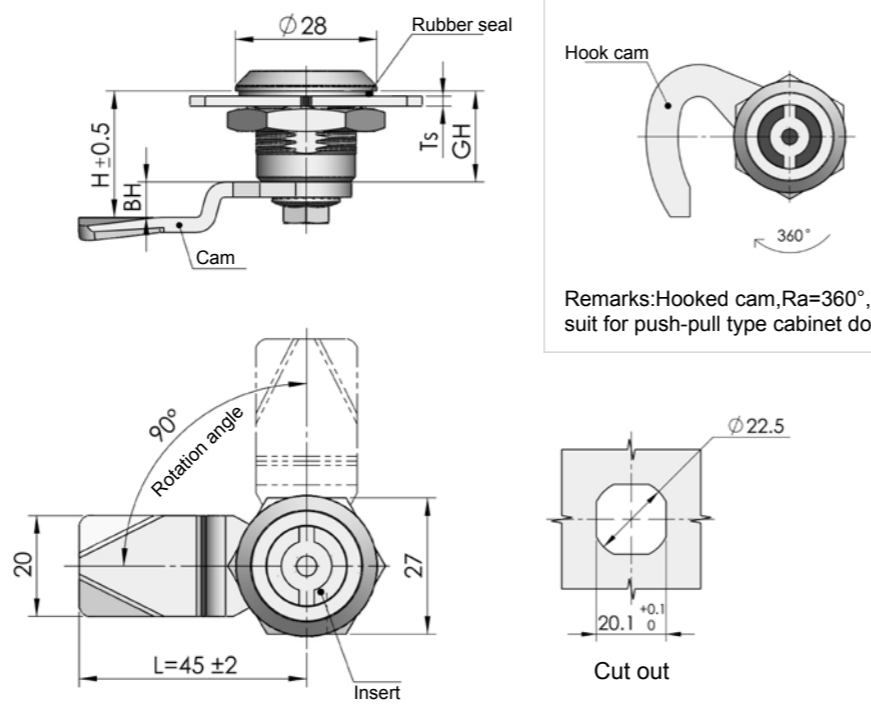


Accessories
Handle lock
Cylinder lock
Electronic lock
Swing handle
Rod control lock
Panel lock
Toggle and hook
Handles
Door stop
Hinge
Seal gasket

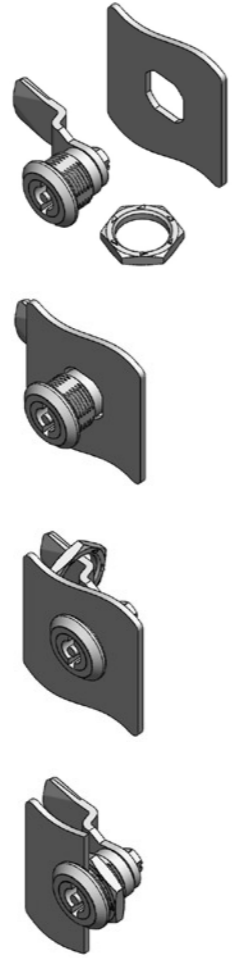


RL **IP54**

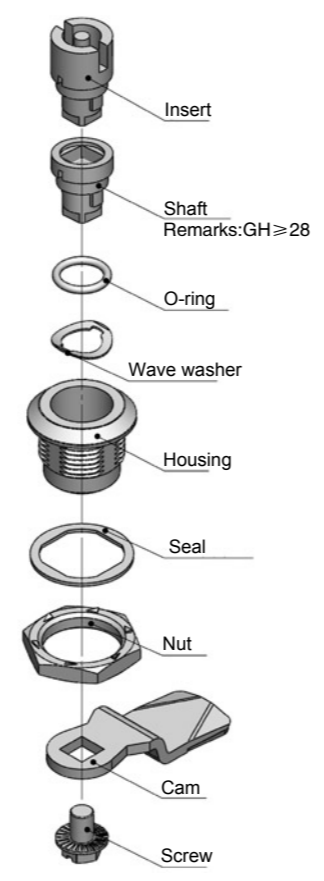
Application : Insert quarter-turn opening or closing



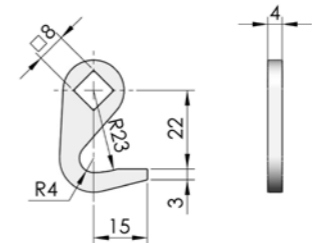
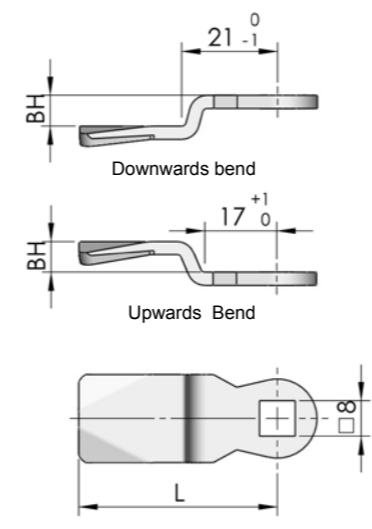
Assembling sketch



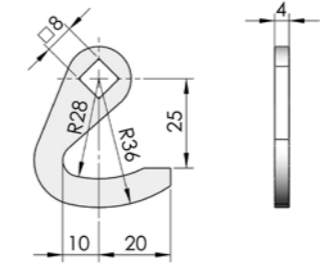
Exploded view



Cams (Optional)

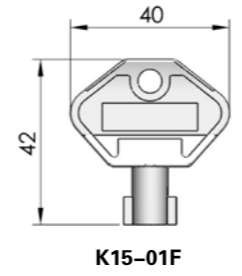


SIB2328H (Hooked cam)

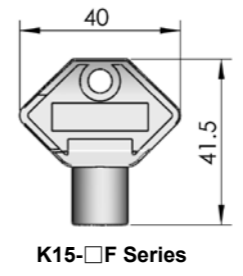


SIB2836H (Hooked cam)

Keys for selection

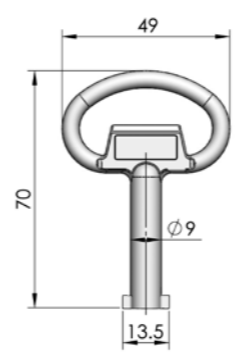


K15-01F

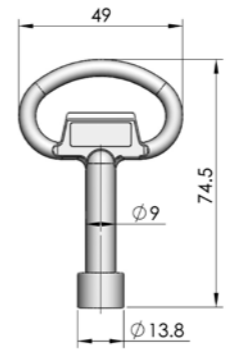


K15-□F Series

Remarks: Material is plastic, "□" stands for the model variable.

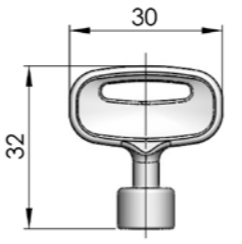


K15-01C

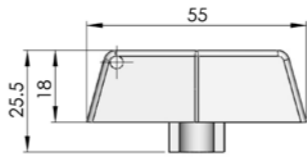


K15-□ Series

Remarks: Material is ZDC, "□" stands for the model variable.



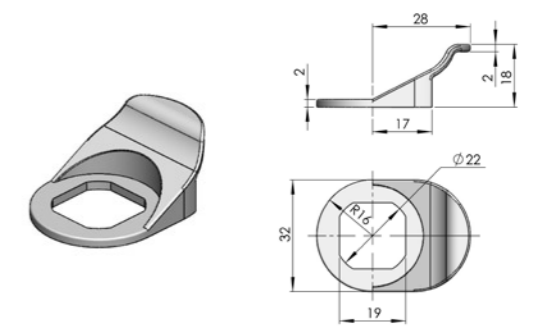
K15-05A



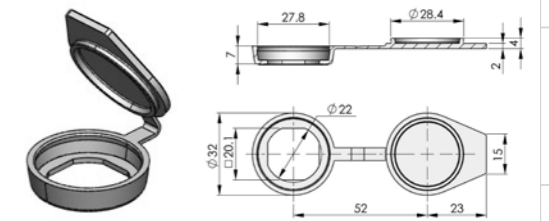
K15-01D

Remarks: Material is ZDC, "□" stands for the model variable.

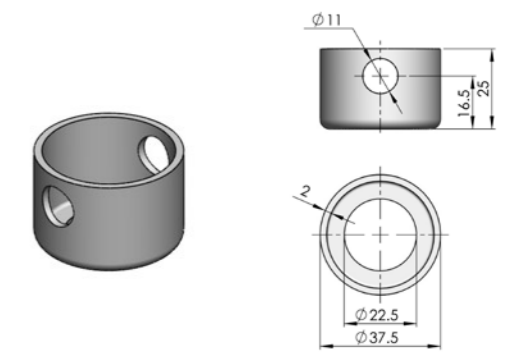
HP001 Handle pull (Optional)



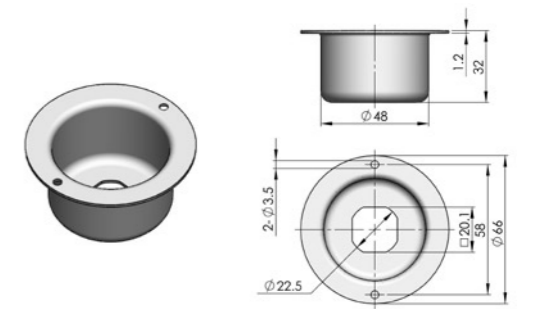
WP002 Water-proof cap (Optional)



A3001 Stainless steel lock tube (Optional)



A3002 Carbon steel seat cover (Optional)



Accessories
Handle lock
Cylinder lock
Electronic lock
Swing handle
Rod control lock
Panel lock
Toggle and hook
Handles
Door stop
Hinge
Seal gasket