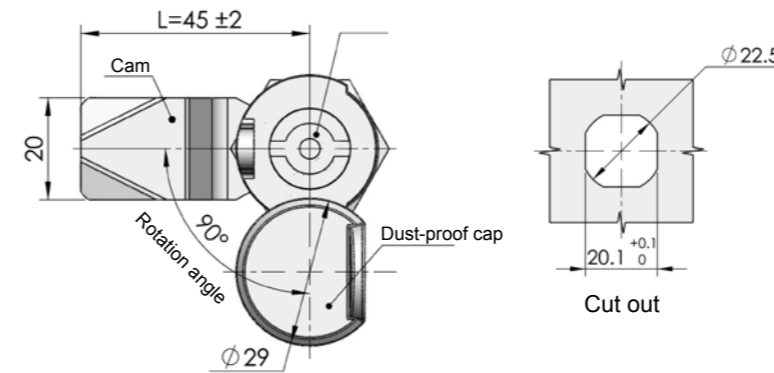
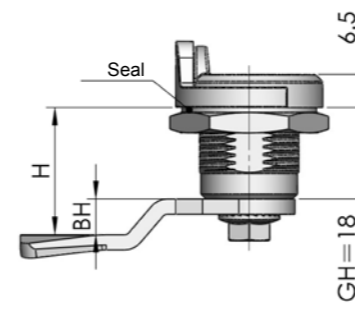
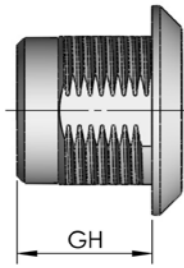


Housing



Specification	Housing GH=18				Housing GH=28	
	Bright chrome plated ZDC housing and insert	Black powder coated ZDC housing and insert	S.S Housing and insert	Black PA housing, bright chrome-plated insert	Bright chrome-plated ZDC housing and insert	Black powder coated ZDC housing and insert
Double bit 4mm	MS705Z3AT02001	MS705Z1AT02001	MS705S00T02001	MS705N00T02001	MS705Z3AT02002	MS705Z1AT02005
Double bit 3mm	MS705Z3AT01001	MS705Z1AT01001	MS705S00T01001	MS705N00T01001	MS705Z3AT01002	MS705Z1AT01005
Hooked 4mm	MS705Z3AT03001	MS705Z1AT03001	MS705S00T03001	MS705N00T03001	MS705Z3AT03002	MS705Z1AT03005
Triangular 8mm	MS705Z3AT04001	MS705Z1AT04001	MS705S00T04001	MS705N00T04001	MS705Z3AT04002	MS705Z1AT04005
Square 8mm	MS705Z3AT07001	MS705Z1AT07001	MS705S00T07001	MS705N00T07001	MS705Z3AT07002	MS705Z1AT07005
square 8mm with solt	MS705Z3AT08001	MS705Z1AT08001	MS705S00T08001	MS705N00T08001	MS705Z3AT08002	MS705Z1AT08005
Square 6mm	MS705Z3AT05001	MS705Z1AT05001		MS705N00T05001	MS705Z3AT05002	MS705Z1AT05005
Square 7mm	MS705Z3AT06001	MS705Z1AT06001		MS705N00T06001	MS705Z3AT06002	MS705Z1AT06005
10mm Hexagon famale	MS705Z3AT09001	MS705Z1AT09001	MS705S00T09001	MS705N00T09001	MS705Z3AT09002	MS705Z1AT09005
Slot	MS705Z3AT10001	MS705Z1AT10001		MS705N00T10001	MS705Z3AT10002	MS705Z1AT10005
11mm Hexagon male	MS705Z3AT11001	MS705Z1AT11001		MS705N00T11001	MS705Z3AT11002	MS705Z1AT11005
Thorn	MS705Z3AT12001	MS705Z1AT12001		MS705N00T12001	MS705Z3AT12002	MS705Z1AT12005
Flat Cylinder	MS705Z3AT13001	MS705Z1AT13001		MS705N00T13001	MS705Z3AT13002	MS705Z1AT13005
Triangular 7mm	MS705Z3AT14001	MS705Z1AT14001		MS705N00T14001	MS705Z3AT14002	MS705Z1AT14005
Triangular 9mm	MS705Z3AT15001	MS705Z1AT15001		MS705N00T15001	MS705Z3AT15002	MS705Z1AT15005
Heptagon male	MS705Z3AT16001	MS705Z1AT16001		MS705N00T16001	MS705Z3AT16002	MS705Z1AT16005
Triangular 10mm	MS705Z3AT17001	MS705Z1AT17001		MS705N00T17001	MS705Z3AT17002	MS705Z1AT17005
Concave with solt	MS705Z3AT18001	MS705Z1AT18001		MS705N00T18001	MS705Z3AT18002	MS705Z1AT18005

Specification	Housing GH=36			Housing GH=62		
	Bright chrome plated ZDC housing and insert	Black powder coated ZDC housing and insert	Black PA housing, bright chrome-plated insert	Bright chrome plated ZDC housing and insert	Black powder coated ZDC housing and insert	Black PA housing, bright chrome-plated insert
Double bit 4mm	MS705Z3AT02003	MS705Z1AT02006	MS705N00T02003	MS705Z3AT02004	MS705Z1AT02002	MS705N00T02004
Double bit 3mm	MS705Z3AT01003	MS705Z1AT01006	MS705N00T01003	MS705Z3AT01004	MS705Z1AT01002	MS705N00T01004
Hooked 4mm	MS705Z3AT03003	MS705Z1AT03006	MS705N00T03003	MS705Z3AT03004	MS705Z1AT03002	MS705N00T03004
Triangular 8mm	MS705Z3AT04003	MS705Z1AT04006	MS705N00T04003	MS705Z3AT04004	MS705Z1AT04002	MS705N00T04004
Square 8mm	MS705Z3AT07003	MS705Z1AT07006	MS705N00T07003	MS705Z3AT07004	MS705Z1AT07002	MS705N00T07004
square 8mm with solt	MS705Z3AT08003	MS705Z1AT08006	MS705N00T08003	MS705Z3AT08004	MS705Z1AT08002	MS705N00T08004
Square 6mm	MS705Z3AT05003	MS705Z1AT05006	MS705N00T05003	MS705Z3AT05004	MS705Z1AT05002	MS705N00T05004
Square 7mm	MS705Z3AT06003	MS705Z1AT06006	MS705N00T06003	MS705Z3AT06004	MS705Z1AT06002	MS705N00T06004
10mm Hexagon famale	MS705Z3AT09003	MS705Z1AT09006	MS705N00T09003	MS705Z3AT09004	MS705Z1AT09002	MS705N00T09004
Slot	MS705Z3AT10003	MS705Z1AT10006	MS705N00T10003	MS705Z3AT10004	MS705Z1AT10002	MS705N00T10004
11mm Hexagon male	MS705Z3AT11003	MS705Z1AT11006	MS705N00T11003	MS705Z3AT11004	MS705Z1AT11002	MS705N00T11004
Thorn	MS705Z3AT12003	MS705Z1AT12006	MS705N00T12003	MS705Z3AT12004	MS705Z1AT12002	MS705N00T12004
Flat Cylinder	MS705Z3AT13003	MS705Z1AT13006	MS705N00T13003	MS705Z3AT13004	MS705Z1AT13002	MS705N00T13004
Triangular 7mm	MS705Z3AT14003	MS705Z1AT14006	MS705N00T14003	MS705Z3AT14004	MS705Z1AT14002	MS705N00T14004
Triangular 9mm	MS705Z3AT15003	MS705Z1AT15006	MS705N00T15003	MS705Z3AT15004	MS705Z1AT15002	MS705N00T15004
Heptagon male	MS705Z3AT16003	MS705Z1AT16006	MS705N00T16003	MS705Z3AT16004	MS705Z1AT16002	MS705N00T16004
Triangular 10mm	MS705Z3AT17003	MS705Z1AT17006	MS705N00T17003	MS705Z3AT17004	MS705Z1AT17002	MS705N00T17004
Concave with solt	MS705Z3AT18003	MS705Z1AT18006	MS705N00T18003	MS705Z3AT18004	MS705Z1AT18002	MS705N00T18004

Remarks : ERP excludes cam (cutout square 8mm), cam optional refers to S1B cam list on P007

ERP	Specification	
	Insert range	Optional key
MS705Z3HT02005	Double bit 4mm	K15-01A/K15-01F/K15-01E
MS705Z3HT01005	Double bit 3mm	K15-01A/K15-01F/K15-01E
MS705Z3HT03005	Hooked 4mm	K15-01A
MS705Z3HT04005	Triangular 8mm	K15-03A/K15-03F
MS705Z3HT07005	Square 8mm	K15-04B/K15-04F
MS705Z3HT08005	square 8mm with solt	K15-04B/K15-04F
MS705Z3HT05005	Square 6mm	K15-05B/K15-05F/K15-05A
MS705Z3HT06005	Square 7mm	K15-06A/K15-06F
MS705Z3HT09005	10mm Hexagon famale	K15-07A/K15-07F
MS705Z3HT10005	Slot	
MS705Z3HT11005	11mm Hexagon male	K15-09A/K15-09F
MS705Z3HT12005	Thorn	K15-10A
MS705Z3HT13005	Flat Cylinder	K15-11A
MS705Z3HT14005	Triangular 7mm	K15-03A/K15-03F
MS705Z3HT15005	Triangular 9mm	
MS705Z3HT16005	Heptagon male	
MS705Z3HT17005	Triangular 10mm	
MS705Z3HT18005	Concave with solt	

Remarks : ERP excludes cam (cutout square 8mm), cam optional refers to S1B cam list on P007

MS705-3A



**RL IP54**

**Main material and finish :** Sand-spray and bright chrome-plated ZDC housing, insert and dust-proof cap, white zinc-plated steel cam

**Application :** Quarter-turn opening or closing

**Remarks:** Optional key K15 series