

**MS722**

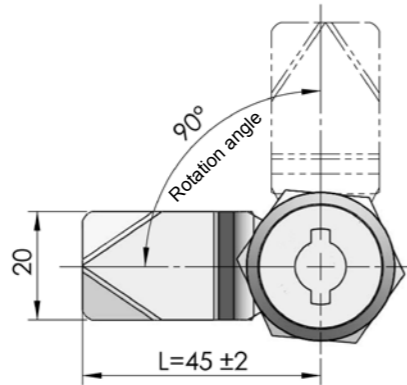
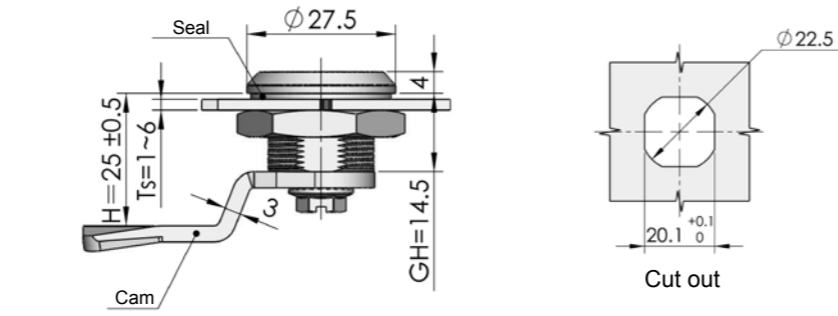


**RL IP54**

**Main material and finish:** Bright chrome-plated ZDC housing, white zinc-plated steel cam and insert

**Application:** Quarter-turn opening or closing

**Remarks:** Optional key K15-01C



**ERP MS722Z3AT01001**

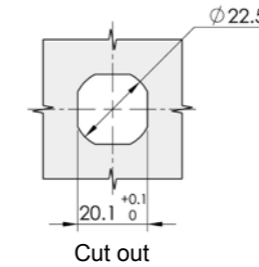
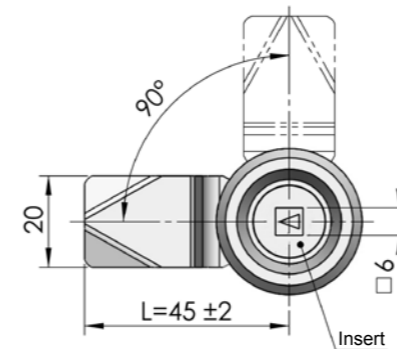
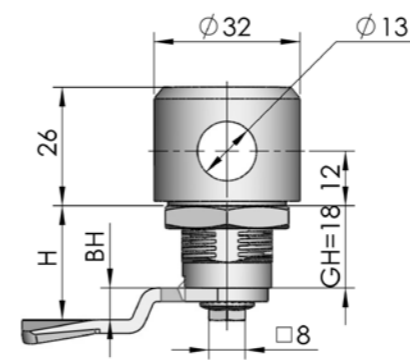
Remarks : ERP excludes cam (cutout square 8mm), cam optional refers to S1B cam list on P007



HP001 Handle pull (Optional)



WP002 Water-proof cap (Optional)



**MS763**



**IP54**

**Main material and finish:** Black powder coated ZDC housing and insert, white zinc-plated steel cam

**Application:** Quarter-turn opening or closing

**Remarks:** Optional key K15 series

**MS762**

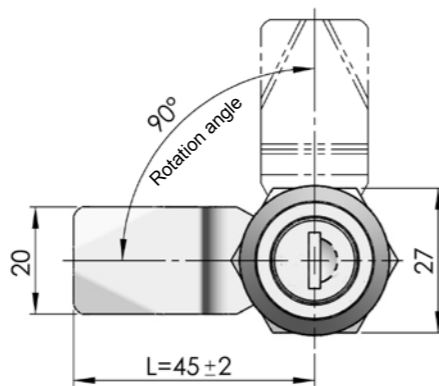
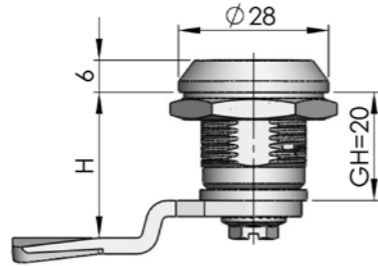


**RL**

**Main material and finish:** Bright chrome-plated ZDC housing and insert, white zinc-plated steel cam

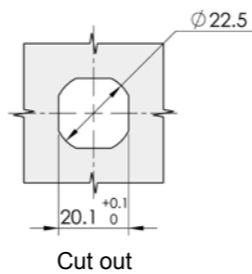
**Application:** Quarter-turn opening or closing

**Remarks:** Default key K160



**ERP MS762Z3A160001**

Remarks : ERP excludes cam (cutout square 8mm), cam optional refers to S1B cam list on P007



ERP	Specification	
	Insert range	Optional key
MS763Z2AT02001	Double bit 4mm	K15-01A/K15-01F/K15-01E
MS763Z2AT01001	Double bit 3mm	K15-01A/K15-01F/K15-01E
MS763Z2AT03001	Hooked 4mm	K15-01A
MS763Z2AT04001	Triangular 8mm	K15-03A/K15-03F
MS763Z2AT07001	Square 8mm	K15-04B/K15-04F
MS763Z2AT08001	square 8mm with solt	K15-04B/K15-04F
MS763Z2AT05001	Square 6mm	K15-05B/K15-05F/K15-05A
MS763Z2AT06001	Square 7mm	K15-06A/K15-06F
MS763Z2AT09001	10mm Hexagon female	K15-07A/K15-07F
MS763Z2AT10001	Slot	
MS763Z2AT11001	11mm Hexagon male	K15-09A/K15-09F
MS763Z2AT12001	Thorn	K15-10A
MS763Z2AT13001	Flat Cylinder	K15-11A
MS763Z2AT14001	Triangular 7mm	K15-03A/K15-03F
MS763Z2AT15001	Triangular 9mm	
MS763Z2AT16001	Heptagon male	
MS763Z2AT17001	Triangular 10mm	
MS763Z2AT18001	Concave with solt	

Remarks : ERP excludes cam (cutout square 8mm), cam optional refers to S1B cam list on P007